

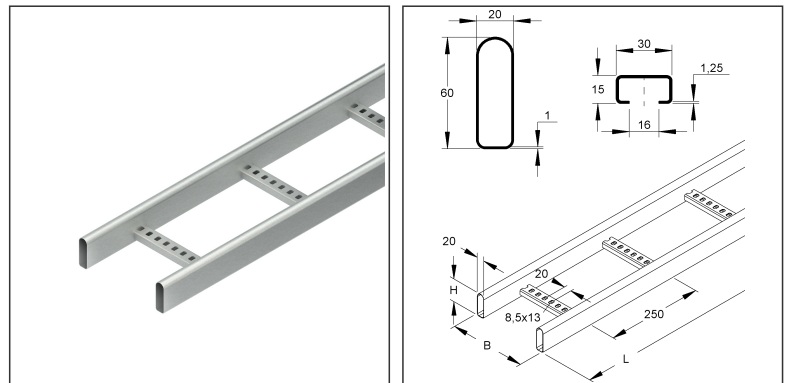
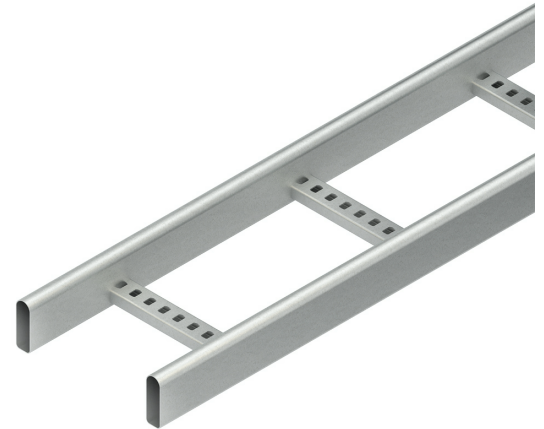
### Cable Ladder

made of oval, closed tubular profile bars and welded, downward open, perforated C-profiles

### KRC 60.225 F

EAN Code: 4013339846917  
 Smallest packaging unit: 6 m  
 quantity unit: m M

the photorealistic images are to be considered as reference images



### Article Description

Cable ladder, 60x200x6000 mm, with perforated C-profiles, steel, hot dip galvanised DIN EN ISO 1461

### Additional Price Information

Article group	N13
quantity unit	m

### Weight

Weight per quantity unit	2,903 kg / m
Weight in kg per 100	290 kg / 100m

# Technical Datasheet

## Cable Ladder System

KRC 60.225 F

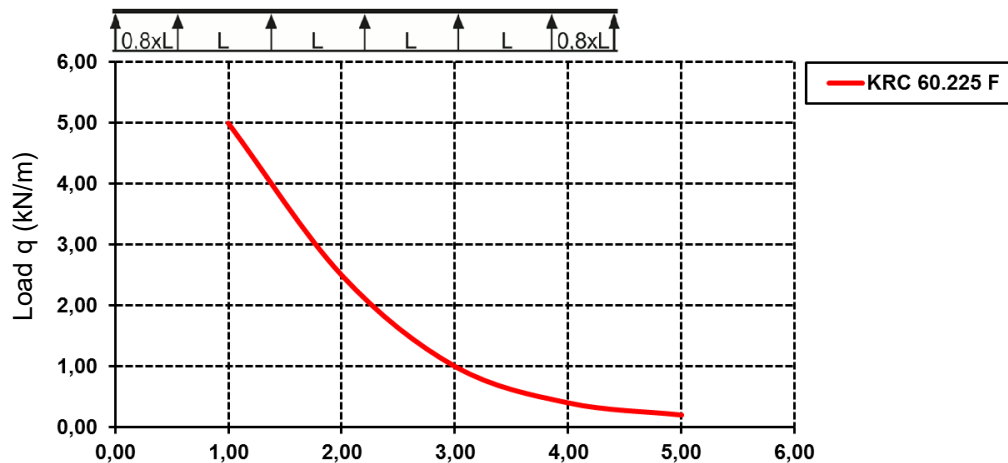
the photorealistic images are to be considered as reference images

### Physical Article Dimensions

Height	60.00 mm
Width	200.00 mm
Depth/length	6000 mm

### Load Specifications

Load diagram:  $q$  = evenly distributed cable load (tested acc. to DIN EN IEC 61537)



Fixing distance (m)

The load details shown in the diagram are independent of the position of the connectors.

### Packing Dimension

<b>6 meters = 1 piece</b>		✓ VP1-smallest packaging unit ( PU)	✓ VP1-preferred PU		
Length	6000 mm	Width	200.00 mm	Height	60.00 mm
Gross weight	17 kg	Volume	0,072 m <sup>3</sup>		
Min. quantity	6.00 m	Max. Quantity	6.00 m		

### Tender Text

Cable ladder, acc. to DIN EN 61537, side beams made of hollow profiles, with downward open welded rungs made of C-profile with 16 mm slot width and continuous perforation.

Dimensions (approx. dimensions) H x W : 60 x 200 mm

Material thickness : 1 mm Rung

distance : 250 mm Rung perforation : 8.5 x 13 mm

Delivery length L : 6000 mm

Usable cross-section : 6080 mm<sup>2</sup>

Material : Steel, hot-dip galvanised acc. to DIN EN ISO 1461

NIEDAX Model No. : KRC 60.225 F

EP Material \_\_\_\_\_ EP Wage \_\_\_\_\_

Unit price/meter

# Technical Datasheet

## Cable Ladder System

KRC 60.225 F

the photorealistic images are to be considered as reference images

### Safety & Environment

REACH Date	25.06.2025
REACH Info	Conformable
RoHS Info	Conformable

### Origin & International Trade

Country of origin	DE
Customs tariff number	73089059

### Related items

#### Cover

Model No.	Description
KRD 200 F	Cover for cable ladder, width 206 mm, steel, hot dip galvanised DIN EN ISO 1461
KRDBK 60 F	Cover fastening clamp, steel, hot dip galvanised DIN EN ISO 1461

#### Barrier strip

Model No.	Description
KRTB 6 F	Fastening element for barrier strip/ mounting plate, steel, hot dip galvanised DIN EN ISO 1461
RW 35 F	Barrier strip, 30x3000 mm, t=0,75 mm, steel, hot dip galvanised DIN EN ISO 1461, incl. accessories

#### Connector

Model No.	Description
KRLV 60 F	Splice plate, steel, hot dip galvanised DIN EN ISO 1461