

### Elbow 90°, small

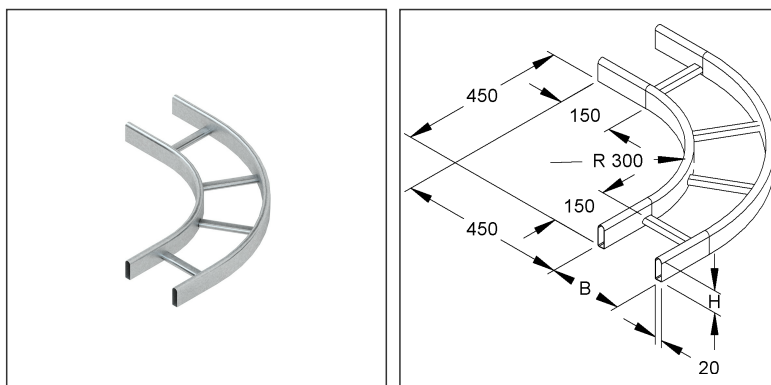
made of oval, closed tubular profile bars and welded, closed, oval rungs

### KROBK 60.325 F

EAN Code: 4013339849048

Smallest packaging unit: 1 pc.

the photorealistic images are to be considered as reference images



#### Article Description

Elbow 90°, small, 60x300 mm, with closed, oval rungs, steel, hot dip galvanised DIN EN ISO 1461

#### Additional Price Information

Article group	N13
quantity unit	pcs.

#### Weight

Weight per quantity unit	3,351 kg / pcs.
Weight in kg per 100	335 kg / 100pcs.

#### Physical Article Dimensions

Height	60.00 mm
Width	750 mm
Depth/length	750 mm

# Technical Datasheet

## Cable Ladder System

KROBK 60.325 F

the photorealistic images are to be considered as reference images

### Packing Dimension

<b>1 piece = 1 piece</b>		✓ VP1-smallest packaging unit ( PU)			
Lenght	750 mm	Width	750 mm	Height	60.00 mm
Gross weight	3,35 kg	Volume	0,034 m <sup>3</sup>		
Min. quantity	1.00 pcs.	Max. Quantity	1.00 pcs.		

### Tender Text

Elbow 90°, small, side beams made of hollow sections, with welded-in, closed, oval rungs, for creating horizontal 90° elbows. Please order splice plate KRLV 60 F separately. for Allround cable ladder : KRC...  
Dimensions (approx. dimensions) H x W : 60 x 300 mm Outer dimensions : 450 mm + B  
Inner beam radius R : 300 mm  
Material : Steel, hot-dip galvanised acc. to DIN EN ISO 1461  
NIEDAX Model No. : KROBK 60.325 F  
EP Material\_\_\_\_\_ EP Wage\_\_\_\_\_  
Unit price/piece

### Safety & Environment

REACH Date	25.06.2025
REACH Info	Conformable
RoHS Info	Conformable

### Origin & International Trade

Country of origin	DE
Federal State of Origin	RP
Customs tariff number	73089059

### Related items

#### Connector

Model No.	Description
KRLV 60 F	Splice plate, steel, hot dip galvanised DIN EN ISO 1461