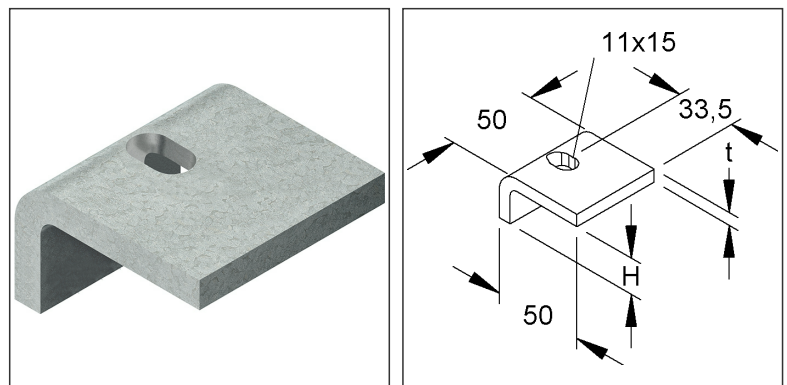


Profile Clamp

HSK 10

EAN Code: 4013339195800
 Smallest packaging unit: 50 pcs.

the photorealistic images are to be considered as reference images



Article Description

Profile clamp, height 10 mm, with fastening holes 11x15 mm, steel, hot dip galvanised DIN EN ISO 1461

Additional Price Information

Article group	N13
quantity unit	pcs.

Weight

Weight per quantity unit	163 g / pcs.
Weight in kg per 100	16 kg / 100pcs.

Physical Article Dimensions

Height	17.00 mm
Width	50.00 mm
Depth/length	50.00 mm

Technical Datasheet

Fastenings accessories

HSK 10

the photorealistic images are to be considered as reference images

Packing Dimension

50 pieces = 1 carton		✓ VP1-smallest packaging unit (PU)	✓ VP1-preferred PU		
Lenght	210 mm	Width	150.00 mm	Height	100.00 mm
Gross weight	8,33 kg	Volume	0,003 m ³		
Min. quantity	50.00 pcs.	Max. Quantity	50.00 pcs.		
6000 pieces = 1 pallet					
Lenght	1200 mm	Width	800 mm	Height	1000 mm
Gross weight	1015 kg	Volume	0,960 m ³		
Min. Quantity	6.000.00 pcs.	Max. Quantity	6.000.00 pcs.		

Tender Text

Profile clamp, for clamping connection to steel beam flanges. Dimensions (approx. dimensions) Clamping height H : 10 mm Width W : 50 mm Length L : 50 mm Material thickness t : 7 mm Fastening holes : 11 x 15 mm for beam flange thickness : 5 - 9 mm Material : steel, hot-dip galvanised acc. to DIN EN ISO 1461 NIEDAX Model No. : HSK 10 EP Material _____ EP Wage _____ Unit price/piece

Safety & Environment

REACH Date	25.06.2025
REACH Info	Conformable
RoHS Info	Conformable

Origin & International Trade

Country of origin	DE
Customs tariff number	73089059