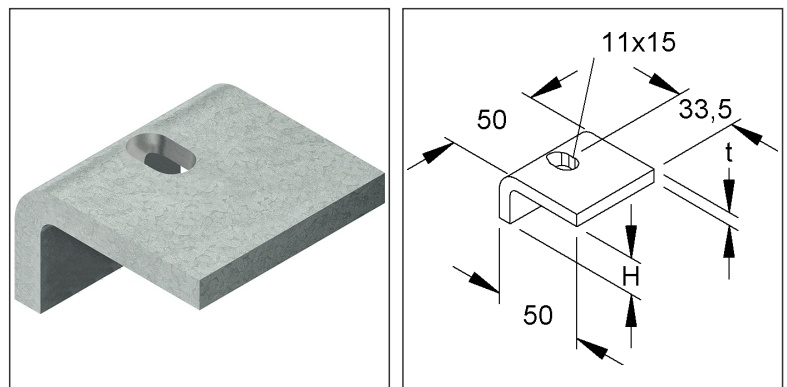


**Profile Clamp**

**HSK 15**

EAN Code: 4013339195909  
 Smallest packaging unit: 50 pcs.

the photorealistic images are to be considered as reference images



**Article Description**

Profile clamp, height 15 mm, with fastening holes 11x15 mm, steel, hot dip galvanised DIN EN ISO 1461

**Additional Price Information**

|               |      |
|---------------|------|
| Article group | N13  |
| quantity unit | pcs. |

**Weight**

|                          |                |
|--------------------------|----------------|
| Weight per quantity unit | 178 g/ pcs.    |
| Weight in kg per 100     | 18 kg/ 100pcs. |

**Physical Article Dimensions**

|              |          |
|--------------|----------|
| Height       | 22.00 mm |
| Width        | 50.00 mm |
| Depth/length | 50.00 mm |

# Technical Datasheet

## Fastenings accessories

HSK 15

the photorealistic images are to be considered as reference images

### Packing Dimension

|                               |               |                                     |                      |                    |           |
|-------------------------------|---------------|-------------------------------------|----------------------|--------------------|-----------|
| <b>50 pieces = 1 carton</b>   |               | ✓ VP1-smallest packaging unit ( PU) |                      | ✓ VP1-preferred PU |           |
| Lenght                        | 210 mm        | Width                               | 150.00 mm            | Height             | 100.00 mm |
| Gross weight                  | 9,09 kg       | Volume                              | 0,003 m <sup>3</sup> |                    |           |
| Min. quantity                 | 50.00 pcs.    | Max. Quantity                       | 50.00 pcs.           |                    |           |
| <b>5400 pieces = 1 pallet</b> |               |                                     |                      |                    |           |
| Lenght                        | 1200 mm       | Width                               | 800 mm               | Height             | 744 mm    |
| Gross weight                  | 1261 kg       | Volume                              | 0,714 m <sup>3</sup> |                    |           |
| Min. Quantity                 | 5.400.00 pcs. | Max. Quantity                       | 5.400.00 pcs.        |                    |           |

### Tender Text

|   |
|---|
| Profile clamp, for clamping connection to steel beam flanges.<br>Dimensions (approx. dimensions)<br>Clamping height H : 15 mm<br>Width W : 50 mm<br>Length L : 50 mm<br>Material thickness t : 7 mm<br>Fastening holes : 11 x 15 mm<br>for beam flange thickness : 10 - 14 mm<br>Material : Steel, hot-dip galvanised acc. to DIN EN ISO 1461<br>NIEDAX Model No. : HSK 15<br>EP Material _____ EP Wage _____<br>Unit price/piece |
|---|

### Safety & Environment

|            |             |
|------------|-------------|
| REACH Date | 25.06.2025  |
| REACH Info | Conformable |
| RoHS Info  | Conformable |

### Origin & International Trade

|                       |          |
|-----------------------|----------|
| Country of origin     | DE       |
| Customs tariff number | 73089059 |