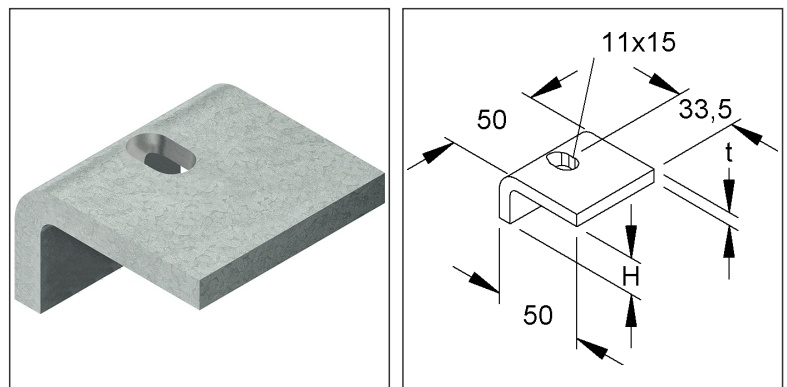


**Profile Clamp**

**HSK 30**

EAN Code: 4013339196005  
 Smallest packaging unit: 50 pcs.

the photorealistic images are to be considered as reference images



**Article Description**

Profile clamp, height 30 mm, with fastening holes 11x15 mm, steel, hot dip galvanised DIN EN ISO 1461

**Additional Price Information**

Article group	N13
quantity unit	pcs.

**Weight**

Weight per quantity unit	224 g/ pcs.
Weight in kg per 100	22 kg/ 100pcs.

**Physical Article Dimensions**

Height	37.00 mm
Width	50.00 mm
Depth/length	50.00 mm

# Technical Datasheet

## Fastenings accessories

HSK 30

the photorealistic images are to be considered as reference images

### Packing Dimension

<b>50 pieces = 1 carton</b>		✓ VP1-smallest packaging unit ( PU)		✓ VP1-preferred PU	
Lenght	350 mm	Width	180.00 mm	Height	110.00 mm
Gross weight	11 kg	Volume	0,007 m <sup>3</sup>		
Min. quantity	50.00 pcs.	Max. Quantity	50.00 pcs.		
<b>3000 pieces = 1 pallet</b>					
Lenght	1200 mm	Width	800 mm	Height	1000 mm
Gross weight	704 kg	Volume	0,960 m <sup>3</sup>		
Min. Quantity	3.000.00 pcs.	Max. Quantity	3.000.00 pcs.		

### Tender Text

Profile clamp, for clamping connection to steel beam flanges. Dimensions (approx. dimensions) Clamping height H : 30 mm Width W : 50 mm Length L : 50 mm Material thickness t : 7 mm Fastening holes : 11 x 15 mm for beam flange thickness : 25 - 29 mm Material : Steel, hot-dip galvanised acc. to DIN EN ISO 1461 NIEDAX Model No. : HSK 30 EP Material _____ EP Wage _____ Unit price/piece
---

### Safety & Environment

REACH Date	25.06.2025
REACH Info	Conformable
RoHS Info	Conformable

### Origin & International Trade

Country of origin	DE
Customs tariff number	73089059