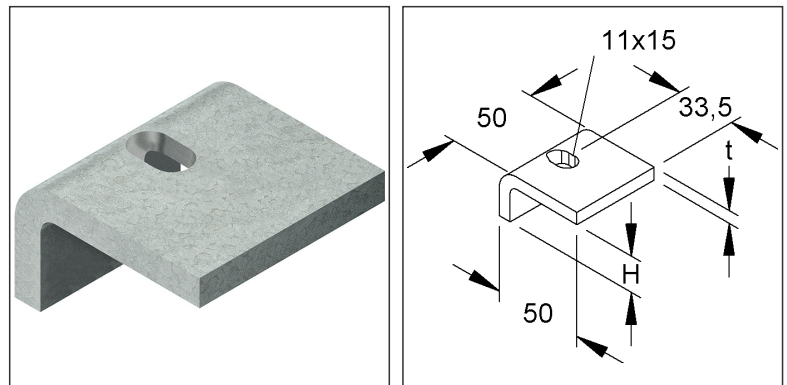


Profile Clamp

HSK 40

EAN Code: 4013339196401
 Smallest packaging unit: 50 pcs.

the photorealistic images are to be considered as reference images



Article Description

Profile clamp, height 40 mm, with fastening holes 11x15 mm, steel, hot dip galvanised DIN EN ISO 1461

Additional Price Information

Article group	N13
quantity unit	pcs.

Weight

Weight per quantity unit	254 g / pcs.
Weight in kg per 100	25 kg / 100pcs.

Physical Article Dimensions

Height	47.00 mm
Width	50.00 mm
Depth/length	50.00 mm

Technical Datasheet

Fastenings accessories

HSK 40

the photorealistic images are to be considered as reference images

Packing Dimension

50 pieces = 1 carton		✓ VP1-smallest packaging unit (PU)		✓ VP1-preferred PU	
Lenght	350 mm	Width	180.00 mm	Height	110.00 mm
Gross weight	13 kg	Volume	0,007 m ³		
Min. quantity	50.00 pcs.	Max. Quantity	50.00 pcs.		
3000 pieces = 1 pallet					
Lenght	1200 mm	Width	800 mm	Height	1000 mm
Gross weight	795 kg	Volume	0,960 m ³		
Min. Quantity	3.000.00 pcs.	Max. Quantity	3.000.00 pcs.		

Tender Text

<p>Profile clamp, for clamping connection to steel beam flanges. Dimensions (approx. dimensions) Clamping height H : 40 mm Width W : 50 mm Length L : 50 mm Material thickness t : 7 mm Fastening holes : 11 x 15 mm for beam flange thickness : 35 - 39 mm Material : Steel, hot-dip galvanised acc. to DIN EN ISO 1461 NIEDAX Model No. : HSK 40 EP Material _____ EP Wage _____ Unit price/piece</p>
--

Safety & Environment

REACH Date	25.06.2025
REACH Info	Conformable
RoHS Info	Conformable

Origin & International Trade

Country of origin	DE
Customs tariff number	73089059