

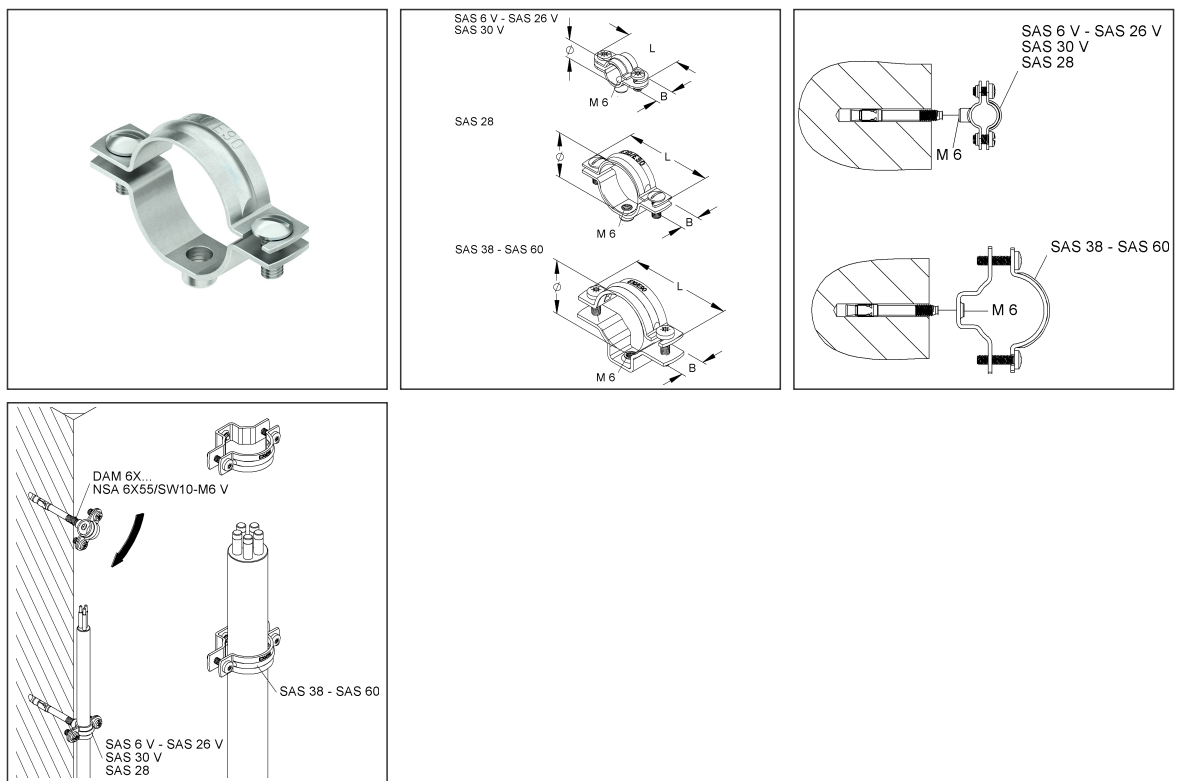
**Screw Distance Clamp**

with female connection thread M6

**SAS 26 V**

EAN Code: 4013339734009  
 Smallest packaging unit: 50 pcs.

the photorealistic images are to be considered as reference images



**Article Description**

Screw distance clamp, for cables-Ø 25-27 mm, steel, electro galvanised according DIN EN ISO 2081, blue passivated

# Technical Datasheet

## Conduit and cable distance clamps

SAS 26 V

the photorealistic images are to be considered as reference images

### Additional Price Information

Article group	N06
quantity unit	pcs.

### Weight

Weight per quantity unit	17 g / pcs.
Weight in kg per 100	1,64 kg / 100pcs.

### Physical Article Dimensions

Height	34.00 mm
Width	51.00 mm
Depth/length	12.00 mm

### Packing Dimension

<b>50 pieces = 1 carton</b>		✓ VP1-smallest packaging unit ( PU)		✓ VP1-preferred PU	
Lenght	180.00 mm	Width	90.00 mm	Height	90.00 mm
Gross weight	0,82 kg	Volume	0,001 m <sup>3</sup>		
Min. quantity	50.00 pcs.	Max. Quantity	50.00 pcs.		

<b>10400 pieces = 1 pallet</b>					
Lenght	1200 mm	Width	800 mm	Height	510 mm
Gross weight	186 kg	Volume	0,490 m <sup>3</sup>		
Min. Quantity	10.400.00 pcs.	Max. Quantity	10.400.00 pcs.		

### Tender Text

Conduit- and cable distance clamp, with M 6 internal thread, for screwing onto screw anchors up to 8 mm thread length, when installing on push-through anchors DAM 6X... or screw anchor NSA 6X55/SW10-M6, care must be taken to ensure that the connection thread of the push-through anchor does not protrude into the clamping area of the cable.

Please observe additional regulations for use in functional maintenance!

Used for: cables and electrical conduits according to DIN EN 61386-21

Dimensions (approx. dimensions)

Width W x length L : 12 x 51 mm

Internal connection thread : M 6

for cable clamping range-Ø : 25 - 27 mm

for pipe-Ø : 25 mm

Material : steel, galvanised according to DIN EN ISO 19598, blue passivated

Material screws : steel, galvanised according to DIN EN ISO 4042, blue passivated

Niedax Model-No. : SAS 26 V

EP Material \_\_\_\_\_ EP Wage \_\_\_\_\_

Unit price/piece

# Technical Datasheet

## Conduit and cable distance clamps

SAS 26 V

the photorealistic images are to be considered as reference images

### Safety & Environment

REACH Date	25.06.2025
REACH Info	Conformable
RoHS Info	Conformable

### Origin & International Trade

Country of origin	
Customs tariff number	73269098