

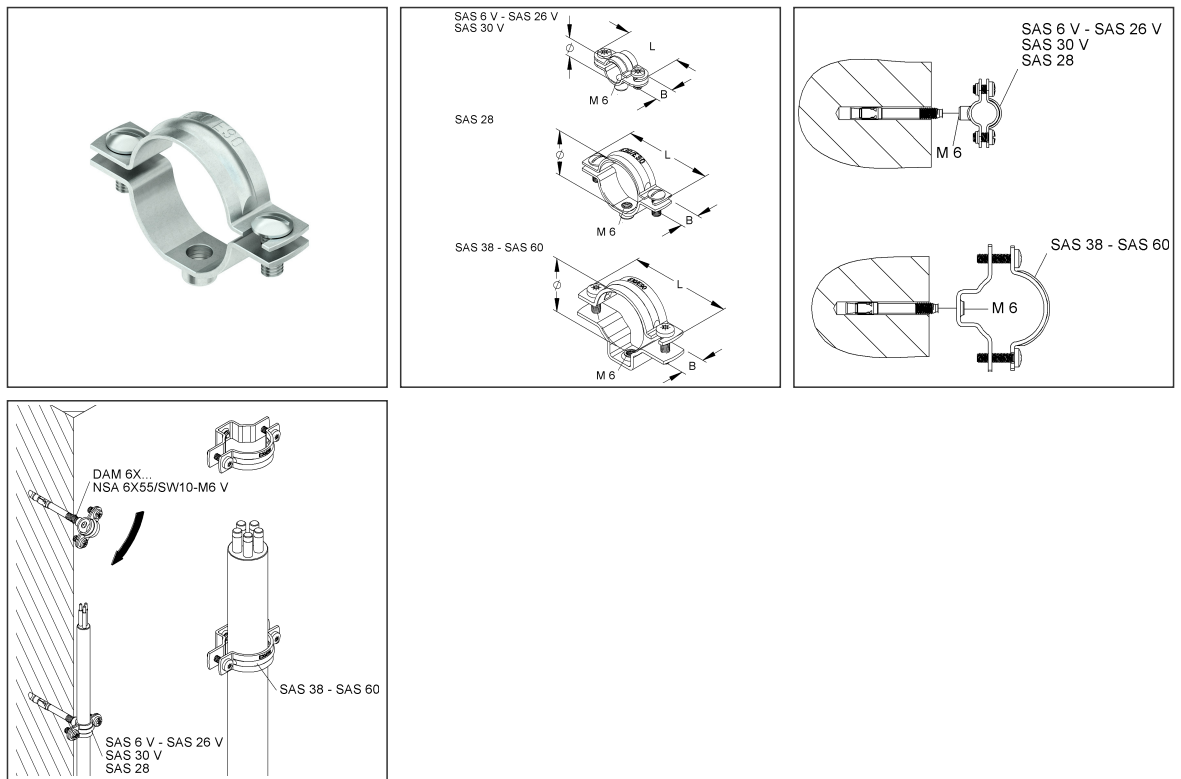
**Screw Distance Clamp**

with female connection thread M6

**SAS 60**

EAN Code: 4013339735501  
 Smallest packaging unit: 20 pcs.

the photorealistic images are to be considered as reference images



**Article Description**

Screw distance clamp, for cables-Ø 55-63 mm, steel, galvanised acc. to DIN EN ISO 2081, thick-film passivated

# Technical Datasheet

## Conduit and cable distance clamps

SAS 60

the photorealistic images are to be considered as reference images

### Additional Price Information

Article group	N06
quantity unit	pcs.

### Weight

Weight per quantity unit	84 g / pcs.
Weight in kg per 100	8,31 kg / 100pcs.

### Physical Article Dimensions

Height	72.00 mm
Width	97.00 mm
Depth/length	18.00 mm

### Packing Dimension

<b>20 pieces = 1</b> ✓ VP1-smallest packaging unit ( PU) ✓ VP1-preferred PU					
Lenght	256 mm	Width	138.00 mm	Height	71.00 mm
Gross weight	1,75 kg	Volume	0,003 m <sup>3</sup>		
Min. quantity	20.00 pcs.	Max. Quantity	20.00 pcs.		

<b>200 pieces = 1 covering box</b>					
Lenght	370 mm	Width	282 mm	Height	260 mm
Gross weight	18 kg	Volume	0,027 m <sup>3</sup>		
Min. Quantity	200.00 pcs.	Max. Quantity	200.00 pcs.		

<b>4800 pieces = 1 pallet</b>					
Lenght	1200 mm	Width	800 mm	Height	1000 mm
Gross weight	443 kg	Volume	0,960 m <sup>3</sup>		
Min. Quantity	4.800.00 pcs.	Max. Quantity	4.800.00 pcs.		

### Tender Text

Conduit- and cable distance clamp, with M 6 internal thread, for screwing onto screw anchors up to 8 mm thread length, when installing on push-through anchors DAM 6X... or screw anchor NSA 6X55/SW10-M6, care must be taken to ensure that the connection thread of the push-through anchor does not protrude into the clamping area of the cable.

Please observe additional regulations for use in functional maintenance!

Used for: cables and electrical conduits according to DIN EN 61386-21

Dimensions (approx. dimensions)

Width W x length L : 18 x 100 mm

Internal connection thread : M 6

for cable clamping range-Ø : 55 - 63 mm

for pipe-Ø : 63 mm

Material : steel, galvanised according to DIN EN ISO 19598, blue passivated

Material screws : steel, galvanised according to DIN EN ISO 4042, blue passivated

Niedax Model-No. : SAS 60

EP Material \_\_\_\_\_ EP Wage \_\_\_\_\_

Unit price/piece

# Technical Datasheet

## Conduit and cable distance clamps

SAS 60

the photorealistic images are to be considered as reference images

### Safety & Environment

REACH Date	25.06.2025
REACH Info	Conformable
RoHS Info	Conformable

### Origin & International Trade

Country of origin	DE
Customs tariff number	73269098