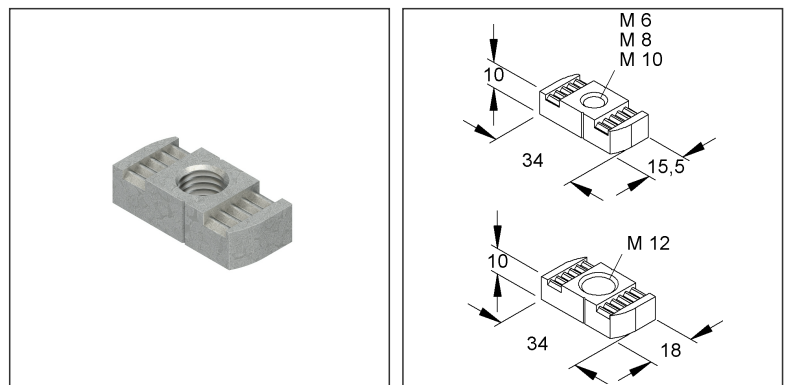


### Sliding Nut

### GMZ M12 F

EAN Code: 4013339947430  
 Smallest packaging unit: 100 pcs.

the photorealistic images are to be considered as reference images



#### Article Description

Sliding nut, thread M12, for slot widths 18 mm, 22 mm, 26 mm, steel, hot dip galvanised DIN EN ISO 10684

#### Additional Price Information

Article group	N09
quantity unit	pcs.

#### Weight

Weight per quantity unit	35 g / pcs.
Weight in kg per 100	3,5 kg / 100pcs.

#### Physical Article Dimensions

Height	10.00 mm
Width	34.00 mm
Depth/length	18.00 mm

# Technical Datasheet

## Screws and nuts

GMZ M12 F

the photorealistic images are to be considered as reference images

### Packing Dimension

<b>100 pieces = 1 carton</b>		✓ VP1-smallest packaging unit ( PU)	✓ VP1-preferred PU		
Lenght	160.00 mm	Width	113.00 mm	Height	87.00 mm
Gross weight	3,5 kg	Volume	0,002 m³		
Min. quantity	100.00 pcs.	Max. Quantity	100.00 pcs.		

### Tender Text

Sliding nut, without screw, for C C-profiles, for C-profiles with 18 mm slot width only usable from the profile end with fastening screw, in combination with C-profile 2986-1.75... not suitable.

Used for :

C-profiles 2985, 2986, 2988 and 2990 with 18 mm slot width

C-Pofile 2996Z with 22 mm slot width

Wall bracket STRUT HKC 96Z/...

Overhead hanger- and wall bracket HKC 96ZD/...

Dimensions (approx. dimensions)

Length L x width W : 34 x 18 mm

Height H : 10 mm

Thread : M 12

Strength class : 8

Material : steel, hot-dip galvanised acc. to DIN EN ISO 10684

NIEDAX Model-No.: GMZ M12 F

EP Material\_\_\_\_\_ EP Wage\_\_\_\_\_

Unit price/piece

### Safety & Environment

REACH Date	25.06.2025
REACH Info	Conformable
RoHS Info	Conformable

### Origin & International Trade

Country of origin	CN
Customs tariff number	73181692