

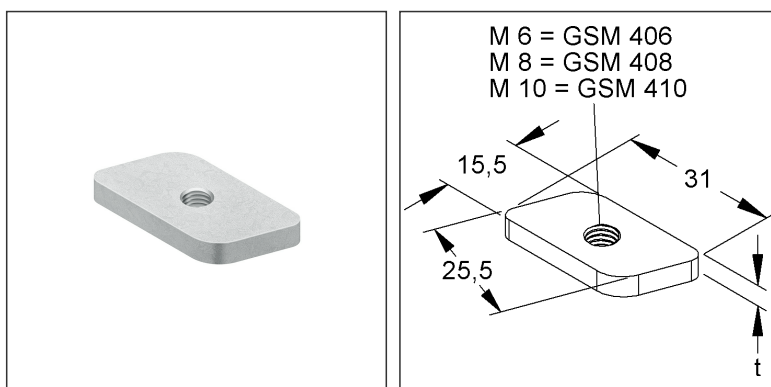
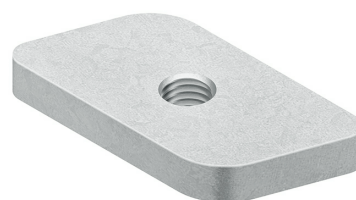
Inclined Sliding Nut

without cylinder head screw

GSM 406 E3

EAN Code: 4013339119325
Smallest packaging unit: 50 pcs.

the photorealistic images are to be considered as reference images



Article Description

Inclined sliding nut, without cylinder head screw, thread M6, stainless steel, material code: 1.4301, AISI 304

Additional Price Information

Article group	N09
quantity unit	pcs.

Weight

Weight per quantity unit	13 g / pcs.
Weight in kg per 100	1,22 kg / 100pcs.

Physical Article Dimensions

Height	4.00 mm
Width	31.10 mm
Depth/length	15.50 mm

Technical Datasheet

Screws and nuts

GSM 406 E3

the photorealistic images are to be considered as reference images

Packing Dimension

50 pieces = 1		✓ VP1-smallest packaging unit (PU)		✓ VP1-preferred PU	
Lenght	80.00 mm	Width	80.00 mm	Height	75.00 mm
Gross weight	0,63 kg	Volume	0,000 m ³		
Min. quantity	50.00 pcs.	Max. Quantity	50.00 pcs.		
250 pieces = 1					
Lenght	138.00 mm	Width	96.00 mm	Height	71.00 mm
Gross weight	3,2 kg	Volume	0,001 m ³		
Min. Quantity	250.00 pcs.	Max. Quantity	250.00 pcs.		
18000 pieces = 1					
Lenght	750 mm	Width	750 mm	Height	730 mm
Gross weight	270 kg	Volume	0,411 m ³		
Min. Quantity	18.000.00 pcs.	Max. Quantity	18.000.00 pcs.		

Tender Text

Inclined sliding nut, without cylinder head bolt, for C-profiles, inclined sliding nut can be used at any point in the profile.
 Used for: C-profiles 2970, 2971, 2972, 2975 and 2980 with 16 mm slot width
 Dimensions (approx. dimensions)
 Length L x width W : 31 x 15.5 mm
 Material thickness t : 4 mm
 Thread : M 6
 Material : stainless steel, material No. 1.4301, AISI 304
 NIEDAX Model No.: GSM 406 E3
 EP Material_____ EP Wage_____
 Unit price/piece

Safety & Environment

REACH Date	25.06.2025
REACH Info	Conformable
RoHS Info	Conformable

Origin & International Trade

Country of origin	DE
Customs tariff number	73181639