

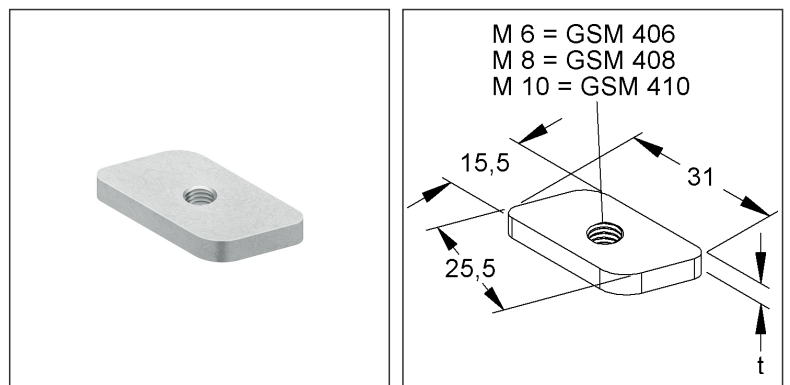
## Inclined Sliding Nut

without cylinder head screw

### GSM 410 E3

EAN Code: 4013339119363  
Smallest packaging unit: 50 pcs.

the photorealistic images are to be considered as reference images



### Article Description

Inclined sliding nut, without cylinder head screw, thread M10, stainless steel, material code: 1.4301, AISI 304

### Additional Price Information

Article group	N09
quantity unit	pcs.

### Weight

Weight per quantity unit	11 g / pcs.
Weight in kg per 100	1,09 kg / 100pcs.

### Physical Article Dimensions

Height	4.00 mm
Width	31.10 mm
Depth/length	15.50 mm

# Technical Datasheet

## Screws and nuts

GSM 410 E3

the photorealistic images are to be considered as reference images

### Packing Dimension

<b>50 pieces = 1</b>		✓ VP1-smallest packaging unit ( PU)		✓ VP1-preferred PU	
Lenght	90.00 mm	Width	90.00 mm	Height	75.00 mm
Gross weight	0,56 kg	Volume	0,001 m <sup>3</sup>		
Min. quantity	50.00 pcs.	Max. Quantity	50.00 pcs.		
<b>250 pieces = 1</b>					
Lenght	138.00 mm	Width	96.00 mm	Height	71.00 mm
Gross weight	2,88 kg	Volume	0,001 m <sup>3</sup>		
Min. Quantity	250.00 pcs.	Max. Quantity	250.00 pcs.		
<b>27000 pieces = 1</b>					
Lenght	750 mm	Width	750 mm	Height	730 mm
Gross weight	350 kg	Volume	0,411 m <sup>3</sup>		
Min. Quantity	27.000.00 pcs.	Max. Quantity	27.000.00 pcs.		

### Tender Text

Inclined sliding nut, without cylinder head bolt, for C-profiles, inclined sliding nut can be used at any point in the profile.  
 Used for : C-profiles 2970, 2971, 2972, 2975 and 2980 with 16 mm slot width  
 Dimensions (approx. dimensions)  
 Length L x width W : 31 x 15.5 mm  
 Material thickness t : 4 mm  
 Thread : M 10  
 Material : stainless steel, material No. 1.4301, AISI 304  
 NIEDAX Model No.: GSM 410 E3  
 EP Material\_\_\_\_\_ EP Wage\_\_\_\_\_  
 Unit price/piece

### Safety & Environment

REACH Date	25.06.2025
REACH Info	Conformable
RoHS Info	Conformable

### Origin & International Trade

Country of origin	DE
Customs tariff number	73181639