

### Sliding Nut

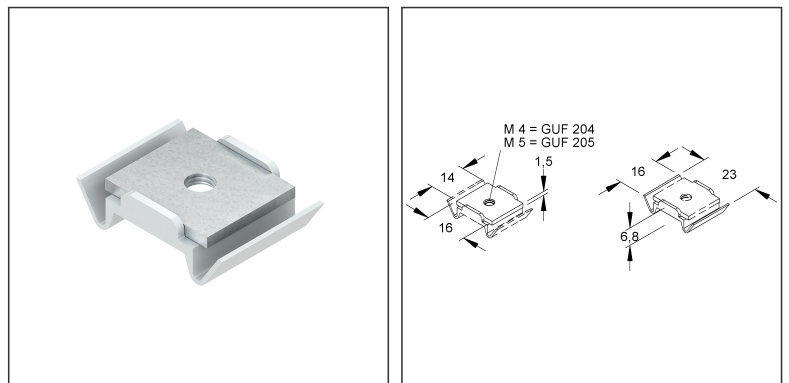
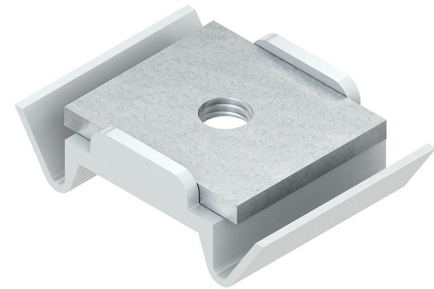
with plastic clamping spring

### GUF 204

EAN Code: 4013339117000

Smallest packaging unit: 100 pcs.

the photorealistic images are to be considered as reference images



### Article Description

Sliding nut with plastic clamping spring, thread M4, SW 11 mm, steel, electro galvanized ISO 4042, thick-film passivated

### Additional Price Information

Article group	N09
quantity unit	pcs.

### Weight

Weight per quantity unit	3 g / pcs.
Weight in kg per 100	0,29 kg / 100pcs.

# Technical Datasheet

## Screws and nuts

GUF 204

the photorealistic images are to be considered as reference images

### Physical Article Dimensions

Height	1.50 mm
Width	16.00 mm
Depth/length	14.00 mm

### Packing Dimension

#### 1 piece = 1 piece

Lenght	14.00 mm	Width	16.00 mm	Height	6.00 mm
Gross weight	0 kg	Volume	0,000 m <sup>3</sup>		
Min. quantity	1.00 pcs.	Max. Quantity	1.00 pcs.		

#### 100 pieces = 1

✓ VP2-smallest Packaging Unit ( PU) ✓ VP2-preferred PU

Lenght	167.00 mm	Width	90.00 mm	Height	46.00 mm
Gross weight	0,33 kg	Volume	0,001 m <sup>3</sup>		
Min. Quantity	100.00 pcs.	Max. Quantity	100.00 pcs.		

#### 1000 pieces = 1 covering box

Lenght	370 mm	Width	282 mm	Height	100.00 mm
Gross weight	3,48 kg	Volume	0,010 m <sup>3</sup>		
Min. Quantity	1.000.00 pcs.	Max. Quantity	1.000.00 pcs.		

### Tender Text

Sliding nut, with plastic clamping spring, the sliding nut can only be used from the end of the profile, self-adhesive and captive due to the clamping spring, halogen-free.

Used for: row profile 2910 with 11 mm slot width

Dimensions (approx.)

Sliding nut length L x width W : 16 x 14 mm

Material thickness t : 1.5 mm

Thread : M 4

Clamping spring length L x width W : 23 x 16 mm

Total height H : 6.8 mm

Material sliding nut : steel, galvanised according to DIN EN ISO 4042, thick-film passivated

Clamping spring material : Polyethylene (PE), halogen-free

NIEDAX model no. : GUF 204

EP Material \_\_\_\_\_ EP Wage \_\_\_\_\_

Unit price/piece

### Safety & Environment

REACH Date	25.06.2025
REACH Info	Conformable
RoHS Info	Conformable

### Origin & International Trade

Country of origin	DE
Customs tariff number	73181692