

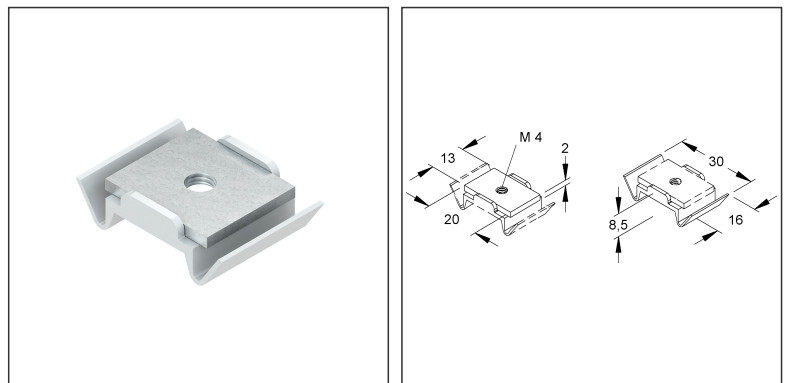
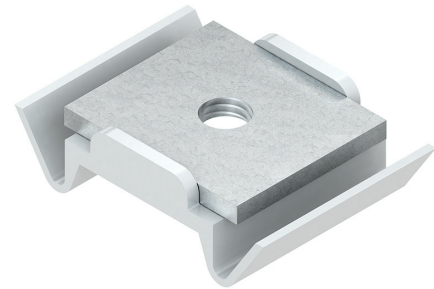
## Sliding Nut

with plastic clamping spring

**GUF 304**

EAN Code: 4013339117208  
Smallest packaging unit: 50 pcs.

the photorealistic images are to be considered as reference images



### Article Description

Sliding nut with plastic clamping spring, thread M4, SW 11,2 mm, steel, galvanised acc. to DIN EN ISO 2081/4042, thick-film passivated

### Additional Price Information

Article group	N09
quantity unit	pcs.

### Weight

Weight per quantity unit	5 g / pcs.
Weight in kg per 100	0,46 kg / 100pcs.

# Technical Datasheet

## Screws and nuts

GUF 304

the photorealistic images are to be considered as reference images

### Physical Article Dimensions

Height	2.00 mm
Width	20.00 mm
Depth/length	13.00 mm

### Packing Dimension

<b>50 pieces = 1</b>		✓ VP1-smallest packaging unit ( PU)		✓ VP1-preferred PU	
Lenght	167.00 mm	Width	90.00 mm	Height	46.00 mm
Gross weight	0,26 kg	Volume	0,001 m <sup>3</sup>		
Min. quantity	50.00 pcs.	Max. Quantity	50.00 pcs.		

<b>500 pieces = 1 covering box</b>					
Lenght	370 mm	Width	282 mm	Height	100.00 mm
Gross weight	2,83 kg	Volume	0,010 m <sup>3</sup>		
Min. Quantity	500.00 pcs.	Max. Quantity	500.00 pcs.		

<b>10000 pieces = 1</b>					
Lenght	750 mm	Width	750 mm	Height	730 mm
Gross weight	97 kg	Volume	0,411 m <sup>3</sup>		
Min. Quantity	10.000.00 pcs.	Max. Quantity	10.000.00 pcs.		

### Tender Text

Sliding nut, with plastic clamping spring, the sliding nut can only be used from the end of the profile, self-adhesive and captive due to the clamping spring, halogen-free.

Used for: row profile 2913 with 11.2 mm slot width

Dimensions (approx.)

Sliding nut length L x width W : 20 x 13 mm

Material thickness t : 2 mm

Thread : M 4

Clamping spring length L x width W : 30 x 16 mm

Total height H : 8.5 mm

Material sliding nut : steel, galvanised according to DIN EN ISO 4042, thick-film passivated

Clamping spring material : Polyethylene (PE), halogen-free

NIEDAX model no. : GUF 304

EP Material\_\_\_\_\_ EP Wage\_\_\_\_\_

Unit price/piece

### Safety & Environment

REACH Date	25.06.2025
REACH Info	Conformable
RoHS Info	Conformable

### Origin & International Trade

Country of origin	DE
Customs tariff number	73181692