

Cover for Cable Tray/-Ladder

with joint strip and pre-assembled twist-lock fasteners

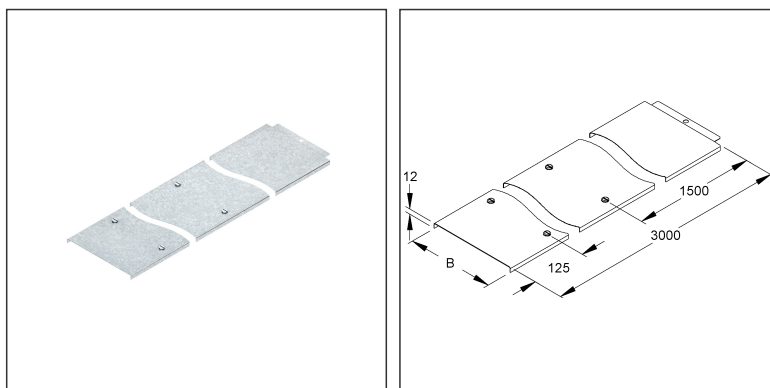
RDV 300 E5

EAN Code: 4013339891047

Smallest packaging unit: 2 x 3 m

quantity unit: m M

the photorealistic images are to be considered as reference images



Article Description

Cover for cable tray/-ladder, with joint strip, 302x3000 mm, stainless steel, material code: 1.4571, AISI 316Ti

Additional Price Information

Article group	N13
quantity unit	m

Weight

Weight per quantity unit	2,081 kg / m
Weight in kg per 100	208 kg / 100m

Physical Article Dimensions

Height	15.50 mm
Width	303.60 mm
Depth/length	3020 mm

Technical Datasheet

Cable Tray System

RDV 300 E5

the photorealistic images are to be considered as reference images

Packing Dimension

6 meters = 1 bundle		✓ VP1-smallest packaging unit (PU)	✓ VP1-preferred PU		
Lenght	3020 mm	Width	309 mm	Height	21.00 mm
Gross weight	12 kg	Volume	0,019 m ³		
Min. quantity	6.00 m	Max. Quantity	6.00 m		

Tender Text

Cover for cable tray/ladder, with joint strip to reduce deflection at the cover joint, protection against penetration of dirt and increase stability with the adjacent cover, with captive premounted turning bolt fasteners. Due to external influences, such as wind loads, outdoor use is only possible with an additional protection (self-tapping screws, steel band etc.). For additional requirements, turning bolt RDRS 9 E3 and cover retaining spring RDHF 9 E2 can be used. For use in function maintenance, please observe additional instructions! VDE certified!

Used for : cable trays
cable ladders

Dimensions (approx. dimension)
Width W (inside) : 302 mm
Delivery length L : 3000 mm

Material : stainless steel, material no. 1.4571, AISI 316Ti
Material turning bolt fasteners : stainless steel, material no. 1.4571, AISI 316Ti

NIEDAX Model No. : RDV 300 E5
EP material_____ EP wage_____

Unit price/meter

Safety & Environment

REACH Date	25.06.2025
REACH Info	Conformable
RoHS Info	Conformable

Origin & International Trade

Country of origin	DE
Federal State of Origin	RP
Customs tariff number	73089059