

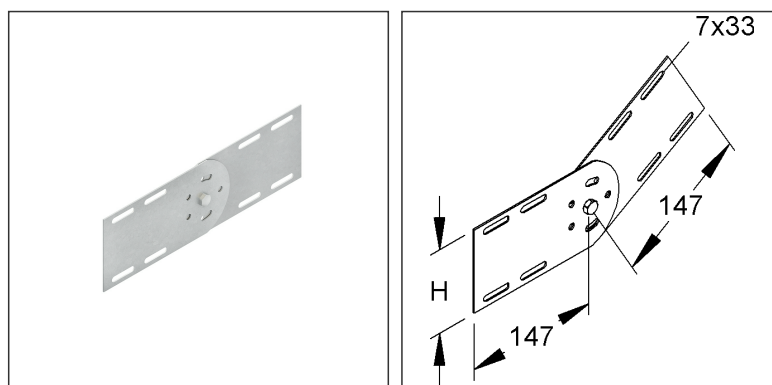
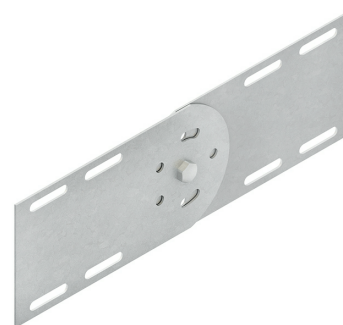
### Joint Connector

vertical

### RGV 110

EAN Code: 4013339253302  
 Smallest packaging unit: 25 pcs.

the photorealistic images are to be considered as reference images



### Article Description

Joint connector, vertical, height 93 mm, steel, pre-galvanised according to DIN EN 10346, incl. accessories

### Incl. accessories

4 FLM 6X12

### Additional Price Information

Article group	N13
quantity unit	pcs.

### Weight

Weight per quantity unit	408 g / pcs.
Weight in kg per 100	41 kg / 100pcs.

# Technical Datasheet

## Cable Tray System

RGV 110

the photorealistic images are to be considered as reference images

### Physical Article Dimensions

Height	93.00 mm
Width	21.30 mm
Depth/length	294 mm

### Packing Dimension

<b>25 pieces = 1 carton</b>		✓ VP1-smallest packaging unit ( PU)	✓ VP1-preferred PU		
Lenght	370 mm	Width	180.00 mm	Height	120.00 mm
Gross weight	11 kg	Volume	0,008 m <sup>3</sup>		
Min. quantity	25.00 pcs.	Max. Quantity	25.00 pcs.		

<b>1500 pieces = 1 pallet</b>					
Lenght	1200 mm	Width	800 mm	Height	1000 mm
Gross weight	651 kg	Volume	0,960 m <sup>3</sup>		
Min. Quantity	1.500.00 pcs.	Max. Quantity	1.500.00 pcs.		

### Tender Text

Joint connector, vertical, for creating vertical angle connections of continuous cable trays, including proportional fastening accessories.  
Used for : cable trays 110 mm edge height  
Dimensions (approx. dimensions)  
Height H : 93 mm  
Requirement : 2 pieces per joint  
Material : steel, pre-galvanised acc. to DIN EN ISO 10346  
NIEDAX Model No. : RGV 110  
EP Material\_\_\_\_\_ EP Wage\_\_\_\_\_  
Unit price/piece

### Safety & Environment

REACH Date	25.06.2025
REACH Info	Conformable
RoHS Info	Conformable

### Origin & International Trade

Country of origin	DE
Federal State of Origin	RP
Customs tariff number	73089059