

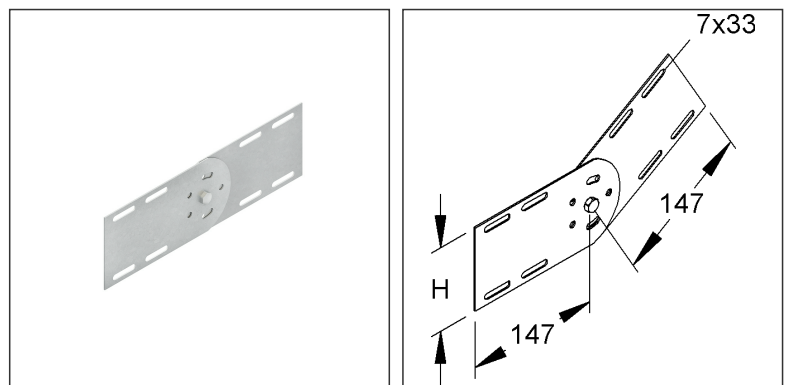
Joint Connector

vertical

RGV 110 E3

EAN Code: 4013339335107
 Smallest packaging unit: 25 pcs.

the photorealistic images are to be considered as reference images



Article Description

Joint connector, vertical, height 93 mm, stainless steel, material code: 1.4301, AISI 304, incl. accessories

Incl. accessories

4 FLM 6X12 E3

Additional Price Information

Article group	N13
quantity unit	pcs.

Weight

Weight per quantity unit	292 g / pcs.
Weight in kg per 100	29 kg / 100pcs.

Technical Datasheet

Cable Tray System

RGV 110 E3

the photorealistic images are to be considered as reference images

Physical Article Dimensions

Height	93.00 mm
Width	21.30 mm
Depth/length	294 mm

Packing Dimension

25 pieces = 1 carton		✓ VP1-smallest packaging unit (PU)	✓ VP1-preferred PU		
Lenght	370 mm	Width	180.00 mm	Height	120.00 mm
Gross weight	7,69 kg	Volume	0,008 m ³		
Min. quantity	25.00 pcs.	Max. Quantity	25.00 pcs.		

600 pieces = 1					
Lenght	750 mm	Width	750 mm	Height	730 mm
Gross weight	225 kg	Volume	0,411 m ³		
Min. Quantity	600.00 pcs.	Max. Quantity	600.00 pcs.		

Tender Text

Joint connector, vertical, for creating vertical angle connections of continuous cable trays, including proportional fastening accessories made of stainless steel.

Used for : cable trays 110 mm edge height

Dimensions (approx. dimensions)

Height H : 93 mm

Requirement : 2 pieces per joint

Material : stainless steel, material no. 1.4301, AISI 304

NIEDAX Model No. : RGV 110 E3

EP Material _____ EP Wage _____

Unit price/piece

Safety & Environment

REACH Date	25.06.2025
REACH Info	Conformable
RoHS Info	Conformable

Origin & International Trade

Country of origin	DE
Federal State of Origin	RP
Customs tariff number	73089059