

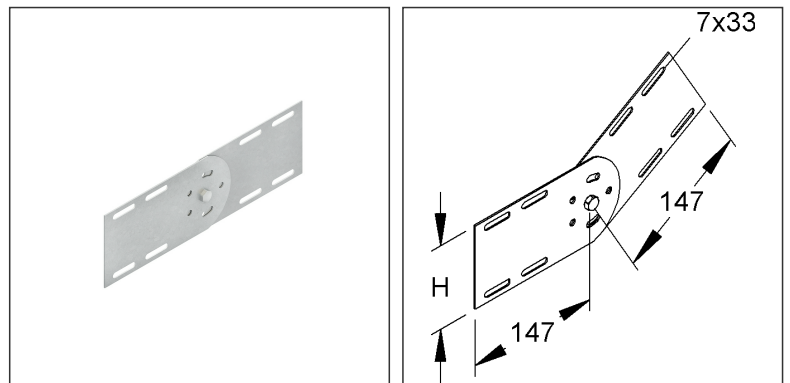
Joint Connector

vertical

RGV 110 F

EAN Code: 4013339253401
 Smallest packaging unit: 25 pcs.

the photorealistic images are to be considered as reference images



Article Description

Joint connector, vertical, height 93 mm, steel, hot dip galvanised DIN EN ISO 1461, incl. accessories

Incl. accessories

4 FLM 6X12 F

Additional Price Information

Article group	N13
quantity unit	pcs.

Weight

Weight per quantity unit	446 g / pcs.
Weight in kg per 100	45 kg / 100pcs.

Technical Datasheet

Cable Tray System

RGV 110 F

the photorealistic images are to be considered as reference images

Physical Article Dimensions

Height	93.00 mm
Width	21.30 mm
Depth/length	294 mm

Packing Dimension

25 pieces = 1 carton		✓ VP1-smallest packaging unit (PU)	✓ VP1-preferred PU		
Lenght	370 mm	Width	180.00 mm	Height	120.00 mm
Gross weight	12 kg	Volume	0,008 m ³		
Min. quantity	25.00 pcs.	Max. Quantity	25.00 pcs.		

1500 pieces = 1 pallet					
Lenght	1200 mm	Width	800 mm	Height	1000 mm
Gross weight	707 kg	Volume	0,960 m ³		
Min. Quantity	1.500.00 pcs.	Max. Quantity	1.500.00 pcs.		

Tender Text

Joint connector, vertical, for creating vertical angle connections of continuous cable trays, including proportional fastening accessories in hot-dip galvanised. Used for : cable trays 110 mm edge height
Dimensions (approx. dimensions)
Height H : 93 mm
Requirement : 2 pieces per joint
Material : steel, hot-dip galvanised acc. to DIN EN ISO 1461
NIEDAX Model No. : RGV 110 F
EP Material_____ EP Wage_____
Unit price/piece

Safety & Environment

REACH Date	25.06.2025
REACH Info	Conformable
RoHS Info	Conformable

Origin & International Trade

Country of origin	DE
Federal State of Origin	RP
Customs tariff number	73089059