

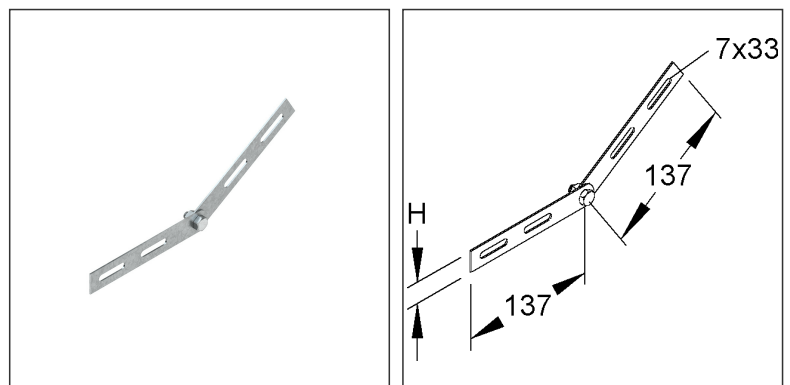
### Joint Connector

vertical

### RGV 35 F

EAN Code: 4013339215706  
 Smallest packaging unit: 50 pcs.

the photorealistic images are to be considered as reference images



### Article Description

Joint connector, vertical, height 22 mm, steel, hot dip galvanised DIN EN ISO 1461, incl. accessories

### Incl. accessories

4 FLM 6X12 F

### Additional Price Information

Article group	N13
quantity unit	pcs.

### Weight

Weight per quantity unit	123 g / pcs.
Weight in kg per 100	12 kg / 100pcs.

# Technical Datasheet

## Cable Tray System

RGV 35 F

the photorealistic images are to be considered as reference images

### Physical Article Dimensions

Height	22.00 mm
Width	21.30 mm
Depth/length	274 mm

### Packing Dimension

<b>50 pieces = 1 carton</b>		✓ VP1-smallest packaging unit ( PU)		✓ VP1-preferred PU	
Lenght	210 mm	Width	150.00 mm	Height	100.00 mm
Gross weight	6,32 kg	Volume	0,003 m <sup>3</sup>		
Min. quantity	50.00 pcs.	Max. Quantity	50.00 pcs.		

<b>8100 pieces = 1 pallet</b>					
Lenght	1200 mm	Width	800 mm	Height	1000 mm
Gross weight	1038 kg	Volume	0,960 m <sup>3</sup>		
Min. Quantity	8.100.00 pcs.	Max. Quantity	8.100.00 pcs.		

### Tender Text

Joint connector, vertical, for creating vertical changes of direction, including proportional fastening accessories.  
 Used for : cable trays 35 mm edge height  
 Dimensions (approx. dimensions)  
 Height H : 22 mm  
 Requirement : 2 pieces per joint  
 Material : steel, hot-dip galvanised acc. to DIN EN ISO 1461  
 NIEDAX Model No. : RGV 35 F  
 EP Material\_\_\_\_\_ EP Wage\_\_\_\_\_  
 Unit price/piece

### Safety & Environment

REACH Date	25.06.2025
REACH Info	Conformable
RoHS Info	Conformable

### Origin & International Trade

Country of origin	DE
Federal State of Origin	RP
Customs tariff number	73089059