

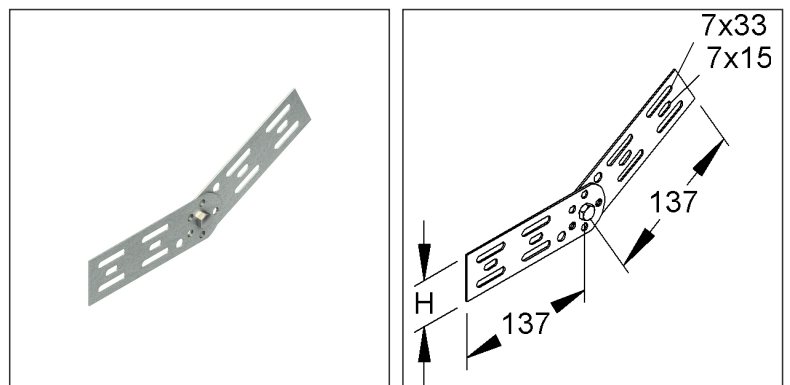
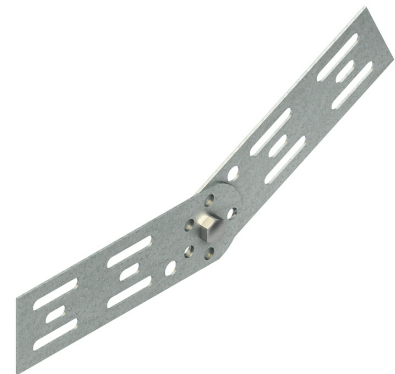
Joint Connector

vertical

RGV 60

EAN Code: 4013339227709
 Smallest packaging unit: 50 pcs.

the photorealistic images are to be considered as reference images



Article Description

Joint connector, vertical, height 47 mm, steel, pre-galvanised according to DIN EN 10346, incl. accessories

Incl. accessories

4 FLM 6X12

Additional Price Information

Article group	N13
quantity unit	pcs.

Weight

Weight per quantity unit	191 g / pcs.
Weight in kg per 100	19 kg / 100pcs.

Technical Datasheet

Cable Tray System

RGV 60

the photorealistic images are to be considered as reference images

Physical Article Dimensions

Height	47.00 mm
Width	21.30 mm
Depth/length	274 mm

Packing Dimension

50 pieces = 1 carton		✓ VP1-smallest packaging unit (PU)	✓ VP1-preferred PU		
Lenght	370 mm	Width	180.00 mm	Height	120.00 mm
Gross weight	9,9 kg	Volume	0,008 m ³		
Min. quantity	50.00 pcs.	Max. Quantity	50.00 pcs.		

2400 pieces = 1 pallet					
Lenght	1200 mm	Width	800 mm	Height	1000 mm
Gross weight	490 kg	Volume	0,960 m ³		
Min. Quantity	2.400.00 pcs.	Max. Quantity	2.400.00 pcs.		

Tender Text

Joint connector, vertical, for creating vertical angle connections of continuous cable trays, including proportional fastening accessories. Please observe additional regulations for use in functional maintenance!

VDE certified!

Used for : cable trays 60 mm edge height

Dimensions (approx. dimensions)

Height H : 47 mm

Requirement : 2 pieces per joint

Material : steel, pre-galvanised acc. to DIN EN ISO 10346

NIEDAX Model No. : RGV 60

EP Material _____ EP Wage _____

Unit price/piece

Safety & Environment

REACH Date	25.06.2025
REACH Info	Conformable
RoHS Info	Conformable

Origin & International Trade

Country of origin	DE
Federal State of Origin	RP
Customs tariff number	73089059