

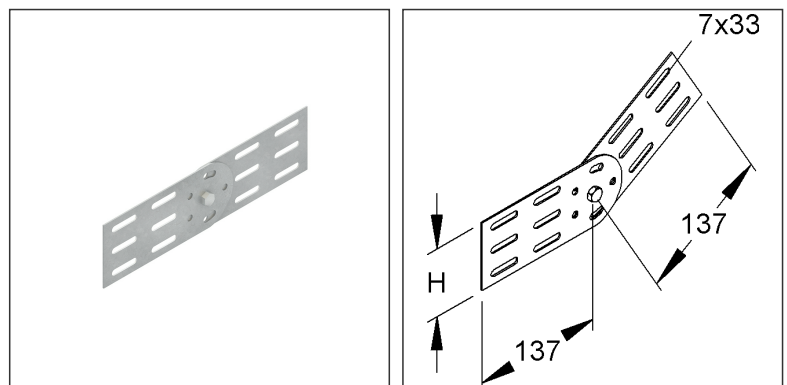
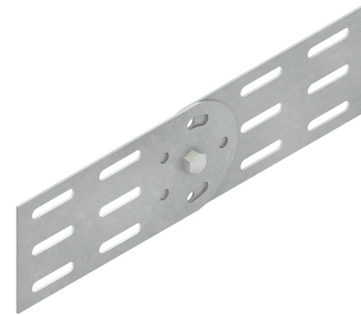
Joint Connector

vertical

RGV 85

EAN Code: 4013339239702
 Smallest packaging unit: 25 pcs.

the photorealistic images are to be considered as reference images



Article Description

Joint connector, vertical, height 73 mm, steel, pre-galvanised according to DIN EN 10346, incl. accessories

Incl. accessories

4 FLM 6X12

Additional Price Information

Article group	N13
quantity unit	pcs.

Weight

Weight per quantity unit	295 g / pcs.
Weight in kg per 100	29 kg / 100pcs.

Technical Datasheet

Cable Tray System

RGV 85

the photorealistic images are to be considered as reference images

Physical Article Dimensions

Height	73.00 mm
Width	21.30 mm
Depth/length	274 mm

Packing Dimension

25 pieces = 1 carton		✓ VP1-smallest packaging unit (PU)		✓ VP1-preferred PU	
Lenght	370 mm	Width	180.00 mm	Height	120.00 mm
Gross weight	7,75 kg	Volume	0,008 m ³		
Min. quantity	25.00 pcs.	Max. Quantity	25.00 pcs.		

1500 pieces = 1 pallet					
Lenght	1200 mm	Width	800 mm	Height	1000 mm
Gross weight	480 kg	Volume	0,960 m ³		
Min. Quantity	1.500.00 pcs.	Max. Quantity	1.500.00 pcs.		

Tender Text

Joint connector, vertical, for creating vertical angle connections of continuous cable trays, including proportional fastening accessories.
Used for : cable trays 85 mm edge height
Dimensions (approx. dimensions)
Height H : 73 mm
Requirement : 2 pieces per joint
Material : steel, pre-galvanised acc. to DIN EN ISO 10346
NIEDAX Model No. : RGV 85
EP Material _____ EP Wage _____
Unit price/piece

Safety & Environment

REACH Date	25.06.2025
REACH Info	Conformable
RoHS Info	Conformable

Origin & International Trade

Country of origin	DE
Federal State of Origin	RP
Customs tariff number	73089059