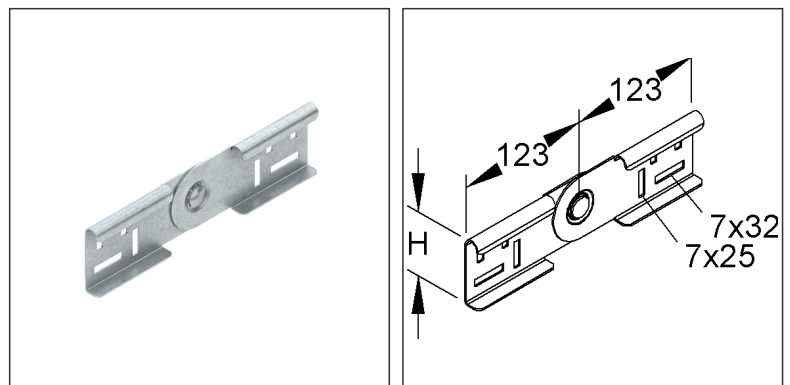


Joint Connector

RGVA 60 F

EAN Code: 4013339227846
 Smallest packaging unit: 20 pcs.

the photorealistic images are to be considered as reference images



Article Description

Joint connector outside, vertical, height 63,5 mm, steel, hot dip galvanised DIN EN ISO 1461, incl. accessories

Additional Price Information

Article group	N13
quantity unit	pcs.

Weight

Weight per quantity unit	334 g / pcs.
Weight in kg per 100	33 kg / 100pcs.

Physical Article Dimensions

Height	63.50 mm
Width	28.00 mm
Depth/length	246 mm

Technical Datasheet

Cable Tray System

RGVA 60 F

the photorealistic images are to be considered as reference images

Packing Dimension

20 pieces = 1 carton		✓ VP1-smallest packaging unit (PU)		✓ VP1-preferred PU	
Lenght	250 mm	Width	250 mm	Height	120.00 mm
Gross weight	7,05 kg	Volume	0,008 m ³		
Min. quantity	20.00 pcs.	Max. Quantity	20.00 pcs.		

480 pieces = 1					
Lenght	750 mm	Width	750 mm	Height	730 mm
Gross weight	209 kg	Volume	0,411 m ³		
Min. Quantity	480.00 pcs.	Max. Quantity	480.00 pcs.		

Tender Text

Joint connector, vertical, for hot-dip galvanised cable trays with 60 mm edge height, for making vertical changes of direction.
 Requirement : 2 pieces per joint Dimensions (approx. dimensions) H : 63.5 mm
 Material : Steel, hot-dip galvanised acc. to DIN EN ISO 1461
 NIEDAX Model no. : RGVA 60 F
 EP Material _____ EP Wage _____
 Unit price/piece

Safety & Environment

REACH Date	25.06.2025
REACH Info	Conformable
RoHS Info	Conformable

Origin & International Trade

Country of origin	DE
Federal State of Origin	RP
Customs tarif number	73089059