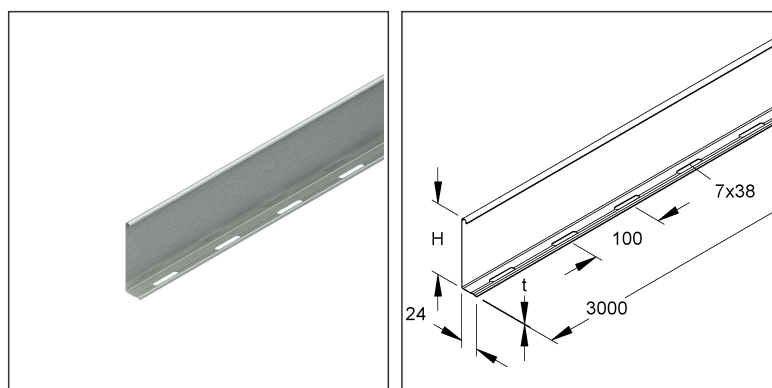
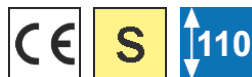


Barrier Strip

RW 110

EAN Code: 4013339251001
 Smallest packaging unit: 10 x 3 m
 quantity unit: m M

the photorealistic images are to be considered as reference images



Article Description

Barrier strip, 98x3000 mm, t=0,9 mm, steel, pre-galvanised according to DIN EN 10346, incl. accessories

Incl. accessories

3 meter = 1 piece		- lowest delivery unit	- preferred delivery unit
Model No.	Description	quantity	
1-FLM 6X12	Mushroom-head bolt M6, similar DIN 603, length 12 mm, steel, electro galvanised according to DIN EN ISO 2081/4042, blue pass	4 pcs.	
30 meter = 1 bundle		✓ lowest delivery unit	✓ preferred delivery unit
Model No.	Description	quantity	
FLM 6X12	Mushroom-head bolt M6, similar DIN 603, length 12 mm, steel, electro galvanised according to DIN EN ISO 2081/4042, blue pass	40 pcs.	
1800 meter = 1 rack		- lowest delivery unit	- preferred delivery unit
Model No.	Description	quantity	
FLM 6X12	Mushroom-head bolt M6, similar DIN 603, length 12 mm, steel, electro galvanised according to DIN EN ISO 2081/4042, blue pass	2.400 pcs.	

Technical Datasheet

Cable Tray System

RW 110

the photorealistic images are to be considered as reference images

Additional Price Information

Article group	N13
quantity unit	m

Weight

Weight per quantity unit	903 g / m
Weight in kg per 100	90 kg / 100m

Physical Article Dimensions

Height	98.00 mm
Width	24.00 mm
Depth/length	3000 mm

Packing Dimension

30 meters = 1 bundle		✓ VP1-smallest packaging unit (PU)		✓ VP1-preferred PU	
Lenght	3000 mm	Width	240 mm	Height	100.00 mm
Gross weight	27 kg	Volume	0,072 m ³		
Min. quantity	30.00 m	Max. Quantity	30.00 m		

1800 meters = 1 rack					
Lenght	3000 mm	Width	850 mm	Height	770 mm
Gross weight	1684 kg	Volume	1,964 m ³		
Min. Quantity	1.800.00 m	Max. Quantity	1.800.00 m		

Tender Text

Barrier strip, with edge protection, bottom edging perforated for screw fastening and continuously profiled for mounting in bottom or retaining lugs, for separating cables and lines with different voltages and functions, equipotential bonding takes place automatically when clipped or screwed in, including proportional fastening accessories.

VDE certified!

Used for : wire mesh trays

cable trays/ladders

wide span trays/ladders

barrier profile holder

Dimensions (approx. dimensions)

H x outer packaging : 98 x 24 mm

Material thickness t : 0.9 mm

Delivery length L : 3000 mm

Material : steel, pre-galvanised acc. to DIN EN 10346

NIEDAX Model No. : RW 110

EP material_____ EP wage_____

Unit price/meter

Technical Datasheet

Cable Tray System

RW 110

the photorealistic images are to be considered as reference images

Safety & Environment

REACH Date	25.06.2025
REACH Info	Conformable
RoHS Info	Conformable

Origin & International Trade

Country of origin	DE
Customs tariff number	73089059

Related items

Connector

Model No.	Description
RTV 110 E2	Splice plate for barrier strip, 97,5x80 mm, stainless steel, material code: 1.4310