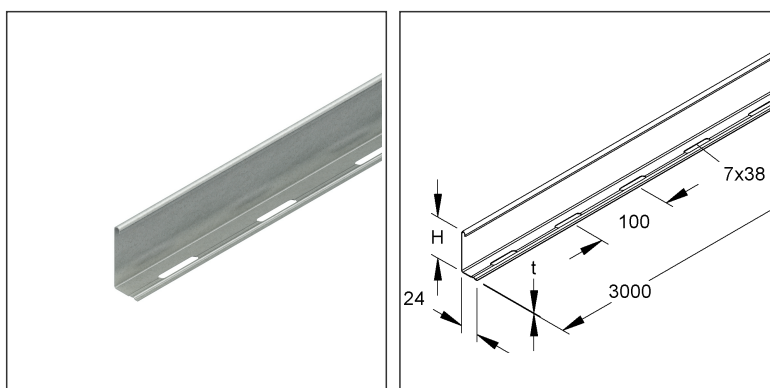
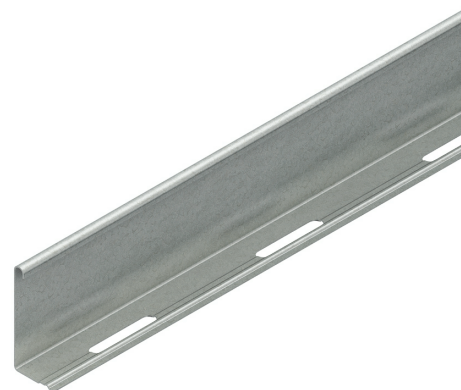


Barrier Strip

RW 60 F

EAN Code: 4013339225101
 Smallest packaging unit: 10 x 3 m
 quantity unit: m M

the photorealistic images are to be considered as reference images



Article Description

Barrier strip, 55x3000 mm, t=0,75 mm, steel, hot dip galvanised DIN EN ISO 1461, incl. accessories

Incl. accessories

3 meter = 1 piece		- lowest delivery unit	- preferred delivery unit
Model No.	Description	quantity	
1-FLM 6X12 F	Mushroom-head bolt M6, similar DIN 603, length 12 mm, steel, hot dip galvanised DIN EN ISO 1461	4 pcs.	
30 meter = 1 bundle		✓ lowest delivery unit	✓ preferred delivery unit
Model No.	Description	quantity	
FLM 6X12 F	Mushroom-head bolt M6, similar DIN 603, length 12 mm, steel, hot dip galvanised DIN EN ISO 1461	40 pcs.	
3000 meter = 1 rack		- lowest delivery unit	- preferred delivery unit
Model No.	Description	quantity	
FLM 6X12 F	Mushroom-head bolt M6, similar DIN 603, length 12 mm, steel, hot dip galvanised DIN EN ISO 1461	4.000 pcs.	

Technical Datasheet

Cable Tray System

RW 60 F

the photorealistic images are to be considered as reference images

Additional Price Information

Article group	N13
quantity unit	m

Weight

Weight per quantity unit	554 g / m
Weight in kg per 100	55 kg / 100m

Physical Article Dimensions

Height	55.00 mm
Width	24.00 mm
Depth/length	3000 mm

Packing Dimension

30 meters = 1 bundle		✓ VP1-smallest packaging unit (PU)		✓ VP1-preferred PU	
Lenght	3000 mm	Width	240 mm	Height	60.00 mm
Gross weight	17 kg	Volume	0,043 m ³		
Min. quantity	30.00 m	Max. Quantity	30.00 m		

3000 meters = 1 rack					
Lenght	3000 mm	Width	850 mm	Height	770 mm
Gross weight	1720 kg	Volume	1,964 m ³		
Min. Quantity	3.000.00 m	Max. Quantity	3.000.00 m		

Tender Text

Barrier strip, with edge protection, bottom edging perforated for screw fastening and continuously profiled for mounting in bottom or retaining lugs, for separating cables and lines with different voltages and functions, equipotential bonding takes place automatically when clipped or screwed in, including proportional fastening accessories in hot-dip galvanised.

VDE certified! Please observe additional regulations for use in functional maintenance!

Used for : wire mesh trays
cable trays/ladders
wide span trays/ladders
barrier profile holder

Dimensions (approx. dimensions)

H x outer packaging : 55 x 24 mm

Material thickness t : 0.75 mm

Delivery length L : 3000 mm

Material : steel, hot-dip galvanised acc. to DIN EN ISO 1461

NIEDAX Model No. : RW 60 F

EP material_____ EP wage_____

Unit price/meter

Technical Datasheet

Cable Tray System

RW 60 F

the photorealistic images are to be considered as reference images

Safety & Environment

REACH Date	25.06.2025
REACH Info	Conformable
RoHS Info	Conformable

Origin & International Trade

Country of origin	DE
Customs tariff number	73089059

Related items

Connector

Model No.	Description
RTV 60 E2	Splice plate for barrier strip, 54,5x80 mm, stainless steel, material code: 1.4310