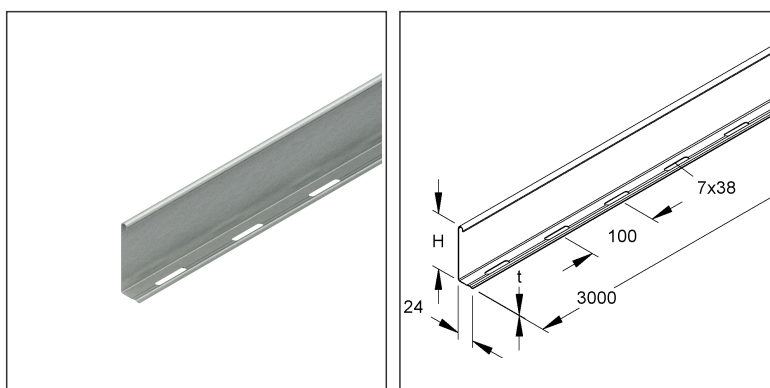
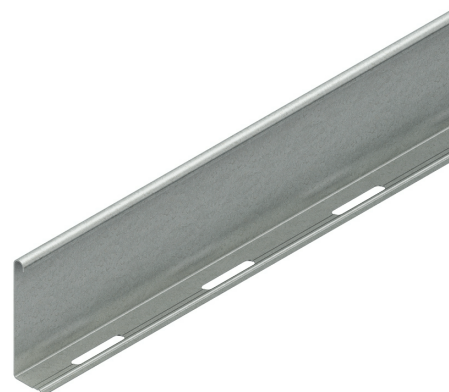


### Barrier Strip

#### RW 85

EAN Code: 4013339237609  
 Smallest packaging unit: 10 x 3 m  
 quantity unit: m M

the photorealistic images are to be considered as reference images



### Article Description

Barrier strip, 80x3000 mm, t=0,9 mm, steel, pre-galvanised according to DIN EN 10346, incl. accessories

### Incl. accessories

3 meter = 1 piece		- lowest delivery unit	- preferred delivery unit
Model No.	Description	quantity	
1-FLM 6X12	Mushroom-head bolt M6, similar DIN 603, length 12 mm, steel, electro galvanised according to DIN EN ISO 2081/4042, blue pass	4 pcs.	
30 meter = 1 bundle		✓ lowest delivery unit	✓ preferred delivery unit
Model No.	Description	quantity	
FLM 6X12	Mushroom-head bolt M6, similar DIN 603, length 12 mm, steel, electro galvanised according to DIN EN ISO 2081/4042, blue pass	40 pcs.	
2100 meter = 1 rack		- lowest delivery unit	- preferred delivery unit
Model No.	Description	quantity	
FLM 6X12	Mushroom-head bolt M6, similar DIN 603, length 12 mm, steel, electro galvanised according to DIN EN ISO 2081/4042, blue pass	2.800 pcs.	

# Technical Datasheet

## Cable Tray System

RW 85

the photorealistic images are to be considered as reference images

### Additional Price Information

Article group	N13
quantity unit	m

### Weight

Weight per quantity unit	777 g / m
Weight in kg per 100	78 kg / 100m

### Physical Article Dimensions

Height	80.00 mm
Width	24.00 mm
Depth/length	3000 mm

### Packing Dimension

<b>30 meters = 1 bundle</b>		✓ VP1-smallest packaging unit ( PU)		✓ VP1-preferred PU	
Lenght	3000 mm	Width	240 mm	Height	80.00 mm
Gross weight	23 kg	Volume	0,058 m <sup>3</sup>		
Min. quantity	30.00 m	Max. Quantity	30.00 m		

<b>2100 meters = 1 rack</b>					
Lenght	3000 mm	Width	850 mm	Height	770 mm
Gross weight	1690 kg	Volume	1,964 m <sup>3</sup>		
Min. Quantity	2.100.00 m	Max. Quantity	2.100.00 m		

### Tender Text

Barrier strip, with edge protection, bottom edging perforated for screw fastening and continuously profiled for mounting in bottom or retaining lugs, for separating cables and lines with different voltages and functions, equipotential bonding takes place automatically when clipped or screwed in, including proportional fastening accessories.

VDE certified! Use for : wire mesh trays cable trays/ladders wide span trays/ladders barrier profile holder Use for : walkable cable trays - this barrier strip is not suitable for supporting walkable covers! dimensions (approx. dimensions) H x outer packaging : 80 x 24 mm

Material thickness t : 0.9 mm

Delivery length L : 3000 mm

Material : steel, pre-galvanised acc. to DIN EN 10346

NIEDAX Model No. : RW 85

EP material \_\_\_\_\_ EP wage \_\_\_\_\_

Unit price/meter

### Safety & Environment

REACH Date	25.06.2025
REACH Info	Conformable
RoHS Info	Conformable

# Technical Datasheet

## Cable Tray System

RW 85

the photorealistic images are to be considered as reference images

### Origin & International Trade

Country of origin	DE
Customs tariff number	73089059

### Related items

#### Connector

Model No.	Description
RTV 85 E2	Splice plate for barrier strip, 79,5x80 mm, stainless steel, material code: 1.4310