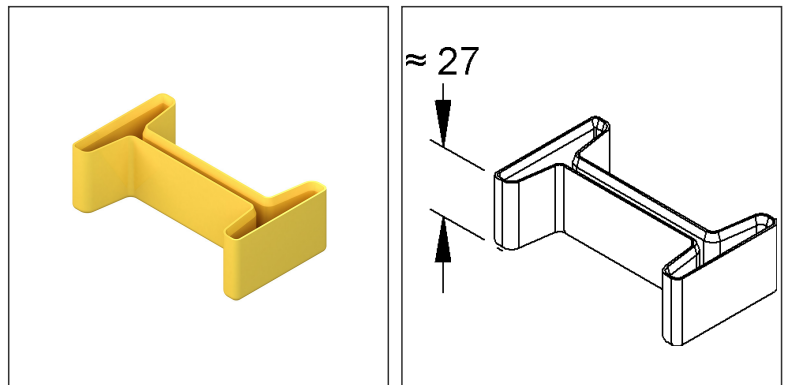
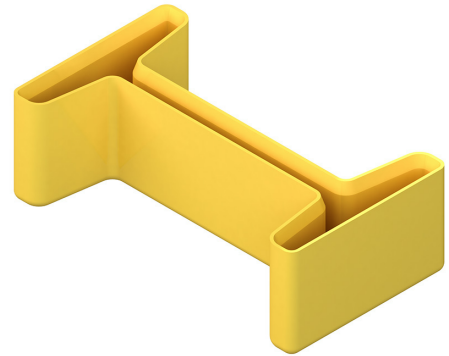


**Protective Cap**

**SKI 80**

EAN Code: 4013339912605  
 Smallest packaging unit: 20 pcs.

the photorealistic images are to be considered as reference images



**Article Description**

Protective cap, to protect the profile ends, plastics, polyethylene, colour yellow, RAL 1021

**Additional Price Information**

Article group	N13
quantity unit	pcs.

**Weight**

Weight per quantity unit	16 g / pcs.
Weight in kg per 100	1,54 kg / 100pcs.

**Physical Article Dimensions**

Height	27.40 mm
Width	84.40 mm
Depth/length	47.10 mm

# Technical Datasheet

## Supporting structure

SKI 80

the photorealistic images are to be considered as reference images

### Packing Dimension

<b>1 piece = 1 piece</b>					
Lenght	48.00 mm	Width	85.00 mm	Height	28.00 mm
Gross weight	0,02 kg	Volume	0,000 m <sup>3</sup>		
Min. quantity	1.00 pcs.	Max. Quantity	1.00 pcs.		
<b>20 pieces = 1</b>		✓ VP2-smallest Packaging Unit ( PU) ✓ VP2-preferred PU			
Lenght	240 mm	Width	180.00 mm	Height	60.00 mm
Gross weight	0,31 kg	Volume	0,003 m <sup>3</sup>		
Min. Quantity	20.00 pcs.	Max. Quantity	20.00 pcs.		
<b>100 pieces = 1 covering box</b>					
Lenght	420 mm	Width	360 mm	Height	120.00 mm
Gross weight	1,54 kg	Volume	0,018 m <sup>3</sup>		
Min. Quantity	100.00 pcs.	Max. Quantity	100.00 pcs.		

### Tender Text

Protective cap, for covering the profile ends, halogen-free. To ensure that the protective cap can be fitted without problems, a distance of at least 50 mm from the profile end must be kept free. The protective cap must be placed in personal danger areas!

Used for: profile I 80/...  
 overhead hanger HI 80/...  
 vertical cable ladder STIW 40/...  
 Requirement 2 pieces per path start/end  
 STIC 86/...  
 Requirement 2 pieces per path start/end  
 Dimensions (approx. dimension)  
 Height H : 27 mm  
 Colour : yellow  
 Material : Polyethylene (PE)  
 silicone-free (free from substances that interfere with paint wetting)  
 NIEDAX Model no. : SKI 80  
 EP Material\_\_\_\_\_ EP Wage\_\_\_\_\_  
 Unit price/piece

### Safety & Environment

REACH Date	25.06.2025
REACH Info	Conformable
RoHS Info	Conformable

### Origin & International Trade

Country of origin	DE
Customs tariff number	39235090