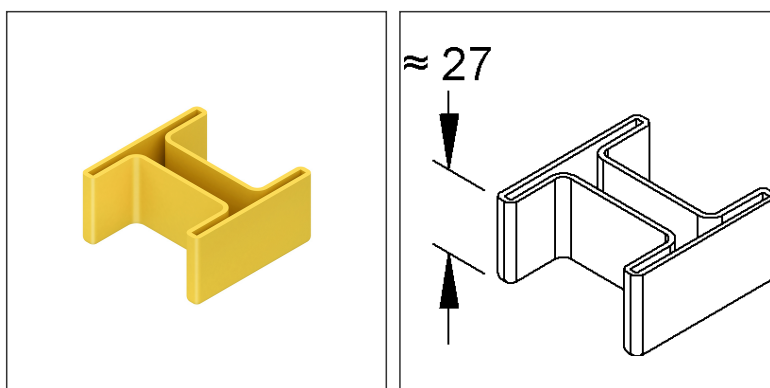
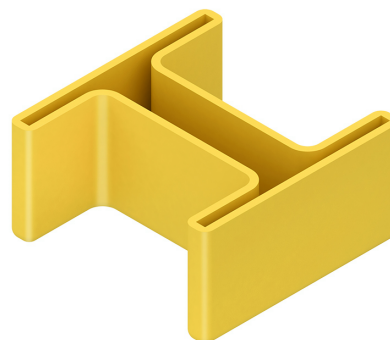


Protective Cap

DK 50

EAN Code: 4013339347506
 Smallest packaging unit: 20 pcs.

the photorealistic images are to be considered as reference images



Article Description

Protective cap, plastics, PVC-soft, colour yellow

Additional Price Information

Article group	N13
quantity unit	pcs.

Weight

Weight per quantity unit	19 g / pcs.
Weight in kg per 100	1,88 kg / 100pcs.

Physical Article Dimensions

Height	27.50 mm
Width	54.10 mm
Depth/length	54.10 mm

Technical Datasheet

Supporting structure

DK 50

the photorealistic images are to be considered as reference images

Packing Dimension

20 pieces = 1		✓ VP1-smallest packaging unit (PU)		✓ VP1-preferred PU	
Lenght	200.00 mm	Width	120.00 mm	Height	130.00 mm
Gross weight	0,5 kg	Volume	0,003 m ³		
Min. quantity	20.00 pcs.	Max. Quantity	20.00 pcs.		
4800 pieces = 1					
Lenght	1230 mm	Width	840 mm	Height	970 mm
Gross weight	190 kg	Volume	1,002 m ³		
Min. Quantity	4.800.00 pcs.	Max. Quantity	4.800.00 pcs.		

Tender Text

Protective cap, to cover the profile ends, contains halogen. To ensure that the protective cap can be fitted without any problems, a distance of at least 50 mm from the end of the profile must be kept free.

The protective cap is to be placed in personal danger areas!

Used for : overhead hanger HDUF 50/...

Dimensions (approx. dimension)

Height H : 27 mm

Colour : yellow

Material : Soft polyvinyl chloride (soft PVC)

silicone-free (free from substances that interfere with paint wetting)

NIEDAX Model No. : DK 50

EP Material _____ EP Wage _____

Unit price/piece

Safety & Environment

REACH Date	25.06.2025
REACH Info	Conformable
RoHS Info	Conformable

Origin & International Trade

Country of origin	DE
Customs tariff number	39235090