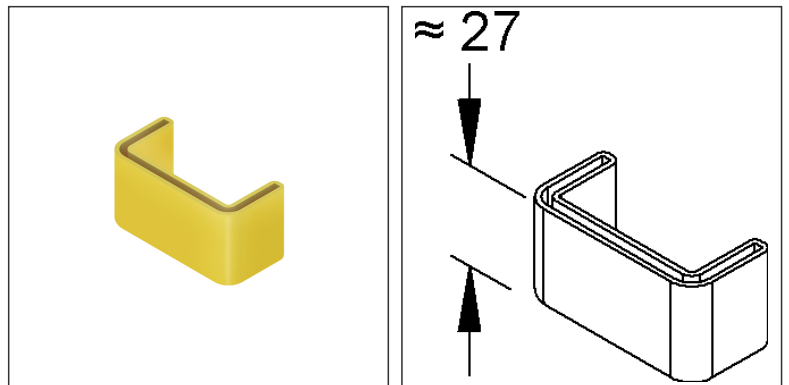
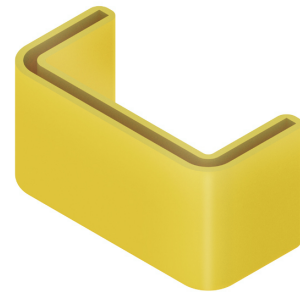


Protective Cap

K 50

EAN Code: 4013339347605
 Smallest packaging unit: 10 pcs.

the photorealistic images are to be considered as reference images



Article Description

Protective cap, plastics, PVC-soft, colour yellow

Additional Price Information

Article group	N13
quantity unit	pcs.

Weight

Weight per quantity unit	10 g/ pcs.
Weight in kg per 100	0,98 kg/ 100pcs.

Physical Article Dimensions

Height	27.50 mm
Width	25.50 mm
Depth/length	53.50 mm

Technical Datasheet

Supporting structure

K 50

the photorealistic images are to be considered as reference images

Packing Dimension

10 pieces = 1		✓ VP1-smallest packaging unit (PU)		✓ VP1-preferred PU	
Lenght	106.00 mm	Width	91.00 mm	Height	72.00 mm
Gross weight	0,13 kg	Volume	0,001 m ³		
Min. quantity	10.00 pcs.	Max. Quantity	10.00 pcs.		
100 pieces = 1 covering box					
Lenght	376 mm	Width	186.00 mm	Height	110.00 mm
Gross weight	1,47 kg	Volume	0,008 m ³		
Min. Quantity	100.00 pcs.	Max. Quantity	100.00 pcs.		
8000 pieces = 1					
Lenght	1230 mm	Width	840 mm	Height	970 mm
Gross weight	188 kg	Volume	1,002 m ³		
Min. Quantity	8.000.00 pcs.	Max. Quantity	8.000.00 pcs.		

Tender Text

Protective cap, to cover the profile ends, halogen-containing. In order to ensure that the protective cap can be fitted without any problems, a distance of at least 50 mm from the profile end must be kept free.

The protective cap must be positioned in personal danger areas!

Used for: profile U 50/...
overhead hanger HUF 50/...

Dimensions (approx. dimension)
Height H : 27 mm
Colour : yellow
Material : Soft polyvinyl chloride (soft PVC)
silicone-free (free from substances that interfere with paint wetting)
NIEDAX Model No. : K 50
EP Material_____ EP Wage_____
Unit price/piece

Safety & Environment

REACH Date	25.06.2025
REACH Info	Conformable
RoHS Info	Conformable

Origin & International Trade

Country of origin	DE
Customs tariff number	39235090