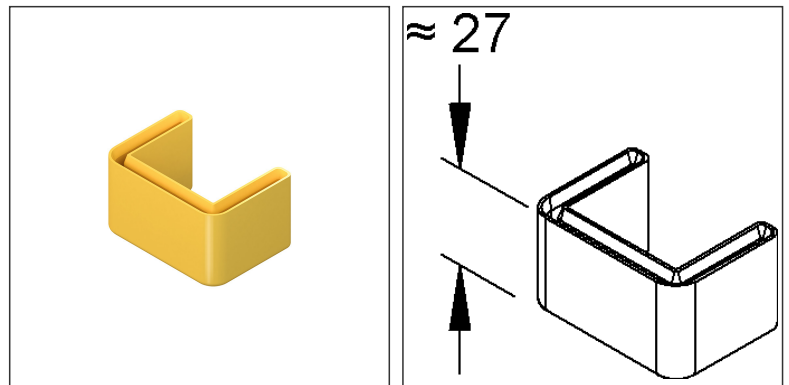
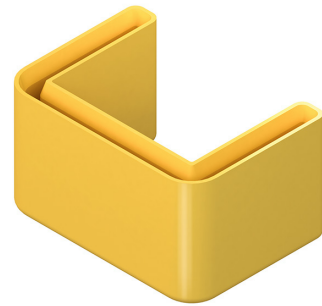


**Protective Cap**

SKU 4530

EAN Code: 4013339165575  
 Smallest packaging unit: 20 pcs.

the photorealistic images are to be considered as reference images



**Article Description**

Protective cap, to cover the profile ends of U 4530/..., HU 4530/..., plastics, polyethylene, colour yellow

**Additional Price Information**

Article group	N13
quantity unit	pcs.

**Weight**

Weight per quantity unit	10 g / pcs.
Weight in kg per 100	0,95 kg / 100pcs.

**Physical Article Dimensions**

Height	26.80 mm
Width	33.90 mm
Depth/length	47.90 mm

# Technical Datasheet

## Supporting structure

SKU 4530

the photorealistic images are to be considered as reference images

### Packing Dimension

<b>1 piece = 1 piece</b>		✓ VP1-smallest packaging unit ( PU)			
Lenght	48.00 mm	Width	34.00 mm	Height	27.00 mm
Gross weight	0,01 kg	Volume	0,000 m <sup>3</sup>		
Min. quantity	1.00 pcs.	Max. Quantity	1.00 pcs.		
<b>20 pieces = 1</b>		✓ VP2-preferred PU			
Lenght	55.00 mm	Width	40.00 mm	Height	270 mm
Gross weight	0,19 kg	Volume	0,001 m <sup>3</sup>		
Min. Quantity	20.00 pcs.	Max. Quantity	20.00 pcs.		
<b>200 pieces = 1 covering box</b>					
Lenght	275 mm	Width	540 mm	Height	40.00 mm
Gross weight	1,9 kg	Volume	0,006 m <sup>3</sup>		
Min. Quantity	200.00 pcs.	Max. Quantity	200.00 pcs.		

### Tender Text

Protective cap, for covering the profile ends, halogen-free.  
 To ensure that the protective cap can be fitted without problems, a distance of at least 50 mm from the profile end must be kept free.  
 The end caps must be prescribed in areas where the risk of hazard is important!  
 Used for : Profile U 4530/...  
 Overhead hanger HU 4530/...  
 Vertical cable ladder STUC 45/...  
 Dimensions (approx. dimension)  
 Height H : 27 mm  
 Colour : yellow  
 Material : Polyethylene (PE)  
 silicone-free (free from substances that interfere with paint wetting)  
 NIEDAX Model no. : SKU 4530  
 EP Material \_\_\_\_\_ EP Wage \_\_\_\_\_  
 Unit price/piece

### Safety & Environment

REACH Date	25.06.2025
REACH Info	Conformable
RoHS Info	Conformable

### Origin & International Trade

Country of origin	DE
Customs tariff number	39269097