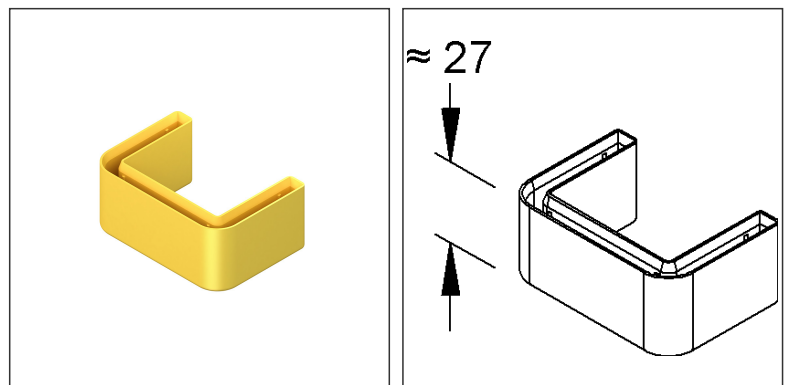
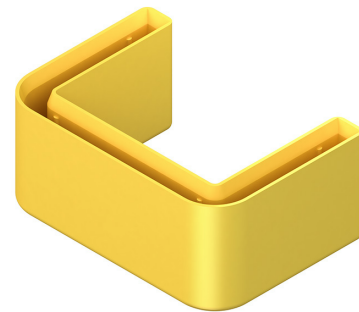


Protective Cap

SKU 6040

EAN Code: 4013339912162
 Smallest packaging unit: 20 pcs.

the photorealistic images are to be considered as reference images



Article Description

Protective cap, to cover the profile ends of U 6040/..., HU 6040/..., plastics, polyethylene, colour yellow

Additional Price Information

Article group	N13
quantity unit	pcs.

Weight

Weight per quantity unit	14 g / pcs.
Weight in kg per 100	1,32 kg / 100pcs.

Physical Article Dimensions

Height	27.40 mm
Width	64.20 mm
Depth/length	44.40 mm

Technical Datasheet

Supporting structure

SKU 6040

the photorealistic images are to be considered as reference images

Packing Dimension

1 piece = 1 piece		✓ VP1-smallest packaging unit (PU)			
Lenght	45.00 mm	Width	65.00 mm	Height	28.00 mm
Gross weight	0,01 kg	Volume	0,000 m ³		
Min. quantity	1.00 pcs.	Max. Quantity	1.00 pcs.		
20 pieces = 1		✓ VP2-preferred PU			
Lenght	160.00 mm	Width	100.00 mm	Height	60.00 mm
Gross weight	0,26 kg	Volume	0,001 m ³		
Min. Quantity	20.00 pcs.	Max. Quantity	20.00 pcs.		
200 pieces = 1 covering box					
Lenght	500 mm	Width	320 mm	Height	60.00 mm
Gross weight	2,64 kg	Volume	0,010 m ³		
Min. Quantity	200.00 pcs.	Max. Quantity	200.00 pcs.		

Tender Text

Protective cap, for covering the profile ends, halogen-free.
 To ensure that the protective cap can be fitted without problems, a distance of at least 50 mm from the profile end must be kept free.
 The end caps must prescribed in areas where the risk of hazard is important!
 Used for : Profile U 6040/...
 Overhead hanger HU 6040/...
 Vertical cable ladder STUC 60/...
 Dimensions (approx. dimension)
 Height H : 27 mm
 Colour : yellow
 Material : Polyethylene (PE)
 silicone-free (free from substances that interfere with paint wetting)
 NIEDAX Model no. : SKU 6040
 EP Material_____ EP Wage_____
 Unit price/piece

Safety & Environment

REACH Date	25.06.2025
REACH Info	Conformable
RoHS Info	Conformable

Origin & International Trade

Country of origin	DE
Customs tariff number	39269097