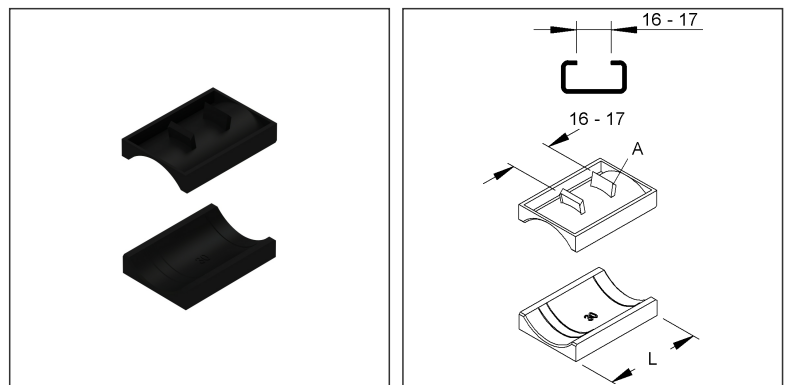


Counter Trough for Cable U-Clamp

GW 42

EAN Code: 4013339106301
Smallest packaging unit: 50 pcs.

the photorealistic images are to be considered as reference images



Article Description

Counter trough for cable U-clamp, cable-Ø 38-42 mm, SW 16-17 mm, plastics, polyethylene

Additional Price Information

Article group	N08
quantity unit	pcs.

Weight

Weight per quantity unit	6 g / pcs.
Weight in kg per 100	0,56 kg / 100pcs.

Physical Article Dimensions

Height	17.30 mm
Width	41.50 mm
Depth/length	39.50 mm

Technical Datasheet

U-clamps

GW 42

the photorealistic images are to be considered as reference images

Packing Dimension

50 pieces = 1		✓ VP1-smallest packaging unit (PU)		✓ VP1-preferred PU	
Lenght	192.00 mm	Width	138.00 mm	Height	71.00 mm
Volume	0,002 m ³	Gross weight	0,37 kg		
Min. quantity	50.00 pcs.	Max. Quantity	50.00 pcs.		
500 pieces = 1 covering box					
Lenght	370 mm	Width	282 mm	Height	196.00 mm
Gross weight	3,94 kg	Volume	0,020 m ³		
Min. Quantity	500.00 pcs.	Max. Quantity	500.00 pcs.		
16000 pieces = 1 pallet					
Lenght	1200 mm	Width	800 mm	Height	1000 mm
Gross weight	141 kg	Volume	0,960 m ³		
Min. Quantity	16.000.00 pcs.	Max. Quantity	16.000.00 pcs.		

Tender Text

Counter through, with UV protection, for hammer foot bracket clamp, self-adhesive on C-profile rails thanks to clamping spring, halogen-free.
 Used for: Hammerfoot clamp B ... and BK ...
 C-profile rails with slot width 16 - 17 mm
 Dimensions (approx. dimensions)
 for cable Ø : 38 - 42 mm
 Length L : 40 mm
 Operating temperature : -40° to 80°C
 Colour : black
 Material : polyethylene (PE) silicone-free (free of paint-wetting substances)
 NIEDAX model no. : GW 42
 EP Material_____ EP Wage_____
 Unit price/piece

Safety & Environment

REACH Date	25.06.2025
REACH Info	Conformable
RoHS Info	Conformable

Origin & International Trade

Country of origin	DE
Customs tariff number	39269097