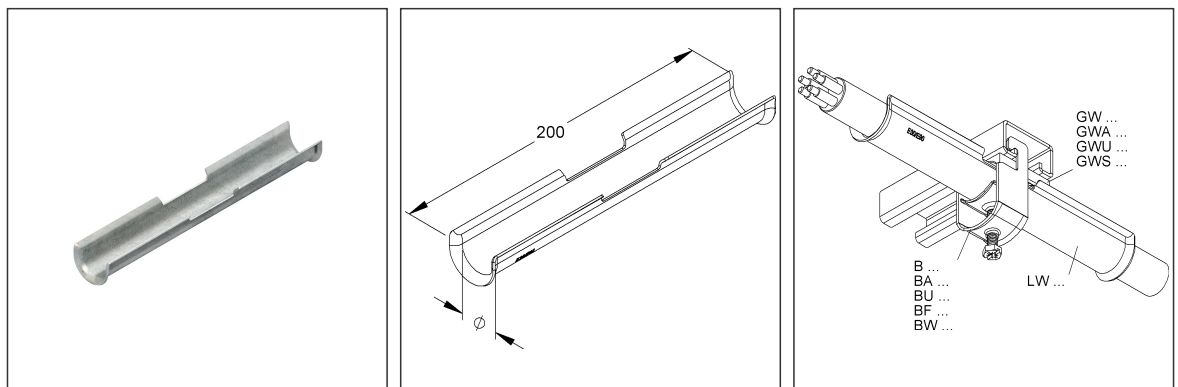
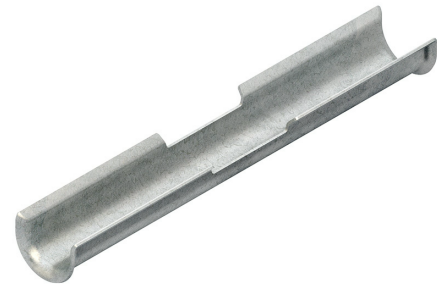


**Long Trough for all U-clamps**

**LW 26**

EAN Code: 4013339113606  
Smallest packaging unit: 100 pcs.

the photorealistic images are to be considered as reference images



**Article Description**

Long trough, for cable-Ø 19-23 mm, steel, pre-galvanised according to DIN EN 10346

**Additional Price Information**

Article group	N08
quantity unit	pcs.

**Weight**

Weight per quantity unit	106 g / pcs.
Weight in kg per 100	11 kg / 100pcs.

**Physical Article Dimensions**

Height	23.90 mm
Width	32.00 mm
Depth/length	200.00 mm

# Technical Datasheet

## U-clamps

LW 26

the photorealistic images are to be considered as reference images

### Packing Dimension

<b>100 pieces = 1 carton</b>		✓ VP1-smallest packaging unit ( PU)		✓ VP1-preferred PU	
Lenght	350 mm	Width	250 mm	Height	145.00 mm
Volume	0,013 m <sup>3</sup>	Gross weight	11 kg		
Min. quantity	100.00 pcs.	Max. Quantity	100.00 pcs.		
<b>5000 pieces = 1 pallet</b>					
Lenght	1200 mm	Width	800 mm	Height	1000 mm
Gross weight	569 kg	Volume	0,960 m <sup>3</sup>		
Min. Quantity	5.000.00 pcs.	Max. Quantity	5.000.00 pcs.		

### Tender Text

<p>Long trough, for all U-clamps, to increase the contact surface. Please observe additional regulations for use in functional maintenance! Used for : U-clamp B ..., BA ..., BU ..., BF ... and BW ... Functional integrity approved for : B ... and BU ... without counter trough C-profile rails with slot width : 11 - 12 mm, 16 - 17 mm and 18 - 22 mm Flat iron with material thickness t : 4 - 12 mm Angle steel, U-iron with a side length : 40 mm and t= 4 - 6 mm Dimensions (approx. dimensions) for cable-Ø : 19 - 23 mm Length L : 200 mm Material : steel, pre-galvanised acc. to DIN EN 10346 NIEDAX model no. : LW 26 EP material _____ EP wage _____ Unit price/piece</p>
---

### Safety & Environment

REACH Date	25.06.2025
REACH Info	Conformable
RoHS Info	Conformable

### Origin & International Trade

Country of origin	DE
Customs tariff number	73269098