

Overhead Hanger- and Wall Bracket

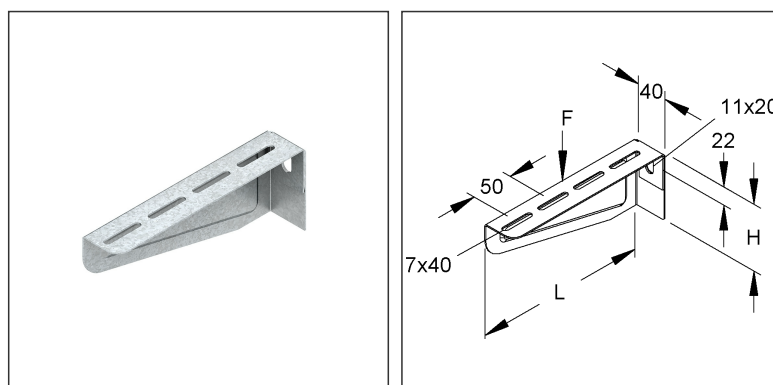
medium duty

KTAM 200 E5

EAN Code: 4013339728404

Smallest packaging unit: 20 pcs.

the photorealistic images are to be considered as reference images



Article Description

Overhead hanger- and wall bracket, medium duty, 80x210 mm, 1,2 kN, stainless steel, material code: 1.4571, incl. accessories

Incl. accessories

2 FLM 6X12 E5

Excl. Accessories

| | |
|-------------------|---|
| exclusive bolting | Please order the necessary fastening accessories separately: for cable trays KK... und KP...: 2 FKM 6X20 E4 for overhead hanger HU 5050/...: 1 HDS 50.50 for profile U 5050/...: 1 HDS 50.50 |
|-------------------|---|

Additional Price Information

| | |
|---------------|------|
| Article group | N13 |
| quantity unit | pcs. |

Technical Datasheet

Supporting structure

KTAM 200 E5

the photorealistic images are to be considered as reference images

Weight

| | |
|--------------------------|-----------------|
| Weight per quantity unit | 307 g / pcs. |
| Weight in kg per 100 | 31 kg / 100pcs. |

Physical Article Dimensions

| | |
|--------------|-----------|
| Height | 80.00 mm |
| Width | 40.00 mm |
| Depth/length | 211.50 mm |

Packing Dimension

| | | | | | |
|-----------------------------|------------|-------------------------------------|----------------------|--------------------|----------|
| 20 pieces = 1 carton | | ✓ VP1-smallest packaging unit (PU) | | ✓ VP1-preferred PU | |
| Lenght | 250 mm | Width | 250 mm | Height | 70.00 mm |
| Gross weight | 6,35 kg | Volume | 0,004 m ³ | | |
| Min. quantity | 20.00 pcs. | Max. Quantity | 20.00 pcs. | | |

| | | | | | |
|-----------------------|-------------|---------------|----------------------|--------|--------|
| 800 pieces = 1 | | | | | |
| Lenght | 750 mm | Width | 750 mm | Height | 730 mm |
| Gross weight | 294 kg | Volume | 0,411 m ³ | | |
| Min. Quantity | 800.00 pcs. | Max. Quantity | 800.00 pcs. | | |

Tender Text

Overhead hanger and wall bracket, medium duty, for wall and overhead hanger mounting, including proportionate fastening accessories in stainless steel, material no. 1.4571, AISI 316Ti.

The load-bearing capacity data is only valid if anchored sufficiently to the load-bearing substrate or if mounted on hanging poles in accordance with the regulations.

VDE certified!

Dimensions (approx. dimensions)

Support height H : 80 mm

Support length L : 210 mm

Load capacity F at L/2 : 1.2 kN tested in the system

Material of the bracket : stainless steel, material no. 1.4571, AISI 316Ti

NIEDAX Model No. : KTAM 200 E5

EP Material_____ EP Wage_____

Unit price/piece

Safety & Environment

| | |
|------------|-------------|
| REACH Date | 25.06.2025 |
| REACH Info | Conformable |
| RoHS Info | Conformable |

Origin & International Trade

| | |
|-------------------------|----------|
| Country of origin | DE |
| Federal State of Origin | RP |
| Customs tariff number | 73089059 |