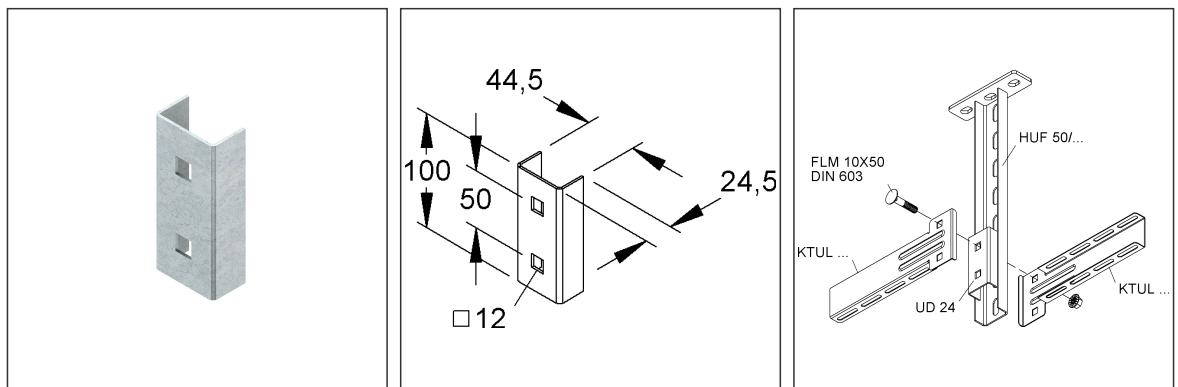


**Distance Piece**

**UD 24**

EAN Code: 4013339171033  
 Smallest packaging unit: 20 pcs.

the photorealistic images are to be considered as reference images



**Article Description**

Distance piece, steel, pre-galvanised according to DIN EN 10346, incl. accessories

**Incl. accessories**

1 FLM 10X50

**Additional Price Information**

Article group	N13
quantity unit	pcs.

**Weight**

Weight per quantity unit	180 g / pcs.
Weight in kg per 100	18 kg / 100pcs.

# Technical Datasheet

## Supporting structure

UD 24

the photorealistic images are to be considered as reference images

### Physical Article Dimensions

Height	100.00 mm
Width	44.50 mm
Depth/length	24.50 mm

### Packing Dimension

<b>20 pieces = 1 carton</b>		✓ VP1-smallest packaging unit ( PU)		✓ VP1-preferred PU	
Lenght	205 mm	Width	120.00 mm	Height	80.00 mm
Gross weight	3,74 kg	Volume	0,002 m <sup>3</sup>		
Min. quantity	20.00 pcs.	Max. Quantity	20.00 pcs.		
<b>1360 pieces = 1</b>					
Lenght	750 mm	Width	750 mm	Height	730 mm
Gross weight	294 kg	Volume	0,411 m <sup>3</sup>		
Min. Quantity	1.360.00 pcs.	Max. Quantity	1.360.00 pcs.		

### Tender Text

Distance piece, for bracket mounting on the overhead hanger or profile on one level. In addition, the combination of different brackets on one level is possible, including proportional fastening accessories. The load-bearing capacity data only apply if there is sufficient anchoring to the load-bearing substrate or if the installation on overhead hangers and U-profiles is in accordance with the regulations.

VDE certified!

for profile : U 50/...

for overhead hanger : HUF 50/...

in connection with bracket : KTUL... and KTUM...

Dimensions (approx. dimensions) W x D x H : 44.5 x 24.5 x 100 mm

Load capacity with both sides on one level : ≤ 1.2 kN

Material : Steel, pre-galvanised acc. to DIN EN 10346

NIEDAX Model No. : UD 24

EP Material \_\_\_\_\_ EP Lohn \_\_\_\_\_

Unit price/piece

### Safety & Environment

REACH Date	25.06.2025
REACH Info	Conformable
RoHS Info	Conformable

### Origin & International Trade

Country of origin	DE
Customs tariff number	73089059