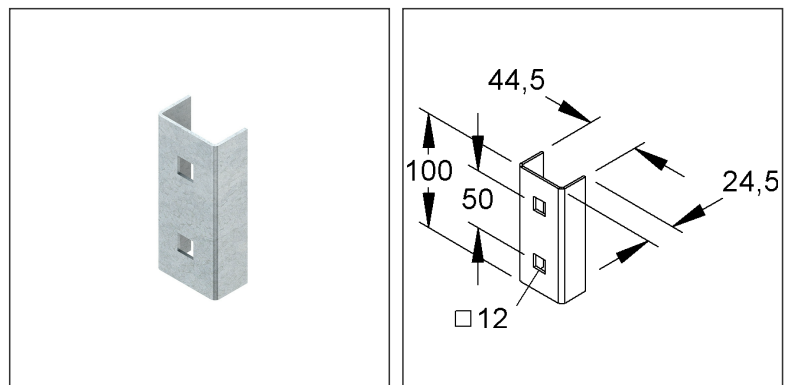


Distance Piece

UD 24 E3

EAN Code: 4013339327652
 Smallest packaging unit: 20 pcs.

the photorealistic images are to be considered as reference images



Article Description

Distance piece, stainless steel, material code: 1.4301, AISI 304, incl. accessories

Incl. accessories

1 FLM 10X50 E3

Additional Price Information

| | |
|---------------|------|
| Article group | N13 |
| quantity unit | pcs. |

Weight

| | |
|--------------------------|-----------------|
| Weight per quantity unit | 185 g / pcs. |
| Weight in kg per 100 | 18 kg / 100pcs. |

Technical Datasheet

Supporting structure

UD 24 E3

the photorealistic images are to be considered as reference images

Physical Article Dimensions

| | |
|--------------|-----------|
| Height | 100.00 mm |
| Width | 44.50 mm |
| Depth/length | 24.50 mm |

Packing Dimension

| | | | | | |
|-----------------------------|------------|-------------------------------------|----------------------|--------|----------|
| 20 pieces = 1 carton | | ✓ VP1-smallest packaging unit (PU) | ✓ VP1-preferred PU | | |
| Lenght | 205 mm | Width | 120.00 mm | Height | 80.00 mm |
| Gross weight | 3,84 kg | Volume | 0,002 m ³ | | |
| Min. quantity | 20.00 pcs. | Max. Quantity | 20.00 pcs. | | |

| | | | | | |
|------------------------|---------------|---------------|----------------------|--------|--------|
| 1320 pieces = 1 | | | | | |
| Lenght | 750 mm | Width | 750 mm | Height | 730 mm |
| Gross weight | 293 kg | Volume | 0,411 m ³ | | |
| Min. Quantity | 1.320.00 pcs. | Max. Quantity | 1.320.00 pcs. | | |

Tender Text

Distance piece, for bracket mounting on the overhead hanger or profile on one level; in addition, the combination of different brackets on one level is also possible, including proportional fastening accessories in stainless steel, material no. 1.4301. The load-bearing capacity data only apply if the bracket is sufficiently anchored to the load-bearing substrate or if it is mounted on overhead hangers and U-profiles in accordance with regulations.

VDE certified!

for profile : U 50/... E3

for overhead hanger : HUF 50/...E3

in connection with bracket : KTUM... E3

Dimensions (approx. dimensions)

W x D x H : 44.5 x 24.5 x 100 mm

Load capacity with both sides on one level : ≤ 1.2 kN

Material : stainless steel, material no. 1.4301, AISI 304

NIEDAX Model no. : UD 24 E3

EP Material _____ EP Lohn _____

Unit price/piece

Safety & Environment

| | |
|------------|-------------|
| REACH Date | 25.06.2025 |
| REACH Info | Conformable |
| RoHS Info | Conformable |

Origin & International Trade

| | |
|-----------------------|----------|
| Country of origin | DE |
| Customs tariff number | 73089059 |