

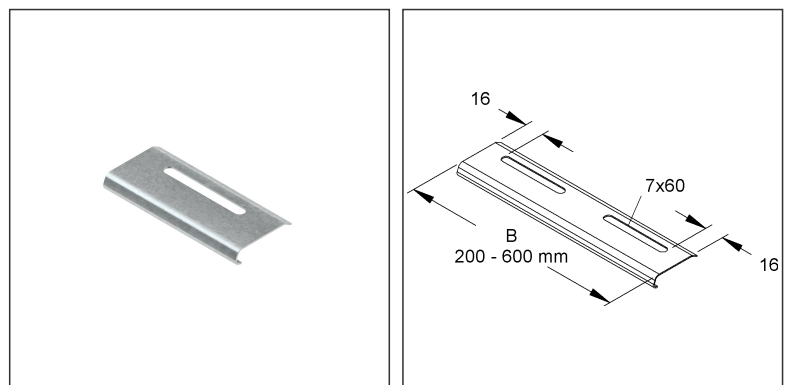
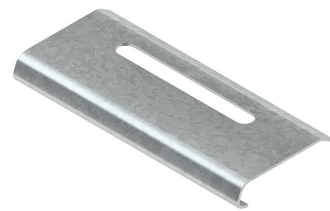
Edge Protection Plate

with rounded edges

RKB 100 F

EAN Code: 4013339563500
 Smallest packaging unit: 10 pcs.

the photorealistic images are to be considered as reference images



Article Description

Edge protection plate, width 92 mm, steel, hot dip galvanised DIN EN ISO 1461, incl. accessories

Incl. accessories

1 FLM 6X12 F

Additional Price Information

Article group	N13
quantity unit	pcs.

Weight

Weight per quantity unit	47 g / pcs.
Weight in kg per 100	4,62 kg / 100pcs.

Technical Datasheet

Cable Tray System

RKB 100 F

the photorealistic images are to be considered as reference images

Physical Article Dimensions

Height	10.40 mm
Width	92.00 mm
Depth/length	43.00 mm

Packing Dimension

10 pieces = 1		✓ VP1-smallest packaging unit (PU)		✓ VP1-preferred PU	
Lenght	167.00 mm	Width	90.00 mm	Height	46.00 mm
Gross weight	0,5 kg	Volume	0,001 m ³		
Min. quantity	10.00 pcs.	Max. Quantity	10.00 pcs.		

3520 pieces = 1					
Lenght	750 mm	Width	750 mm	Height	730 mm
Gross weight	215 kg	Volume	0,411 m ³		
Min. Quantity	3.520.00 pcs.	Max. Quantity	3.520.00 pcs.		

Tender Text

Edge protection plate, with rounded edges, for cable trays, to reinforce the cable tray bottom, to protect the cables at the transition, including proportional fastening accessories.

The edge protection plate must be arranged in personal danger areas!
VDE certified!

Please observe additional regulations for use in functional maintenance!

Used for : cable trays 100 mm tray width

Dimensions (approx. dimensions)

Width W : 92 mm

Fastening holes : 7 x 60 mm

Material : Steel, hot-dip galvanised acc. to DIN EN ISO 1461

NIEDAX Model No. : RKB 100 F

EP Material _____ EP Wage _____

Unit price/piece

Safety & Environment

REACH Date	25.06.2025
REACH Info	Conformable
RoHS Info	Conformable

Origin & International Trade

Country of origin	DE
Federal State of Origin	RP
Customs tariff number	73089059