

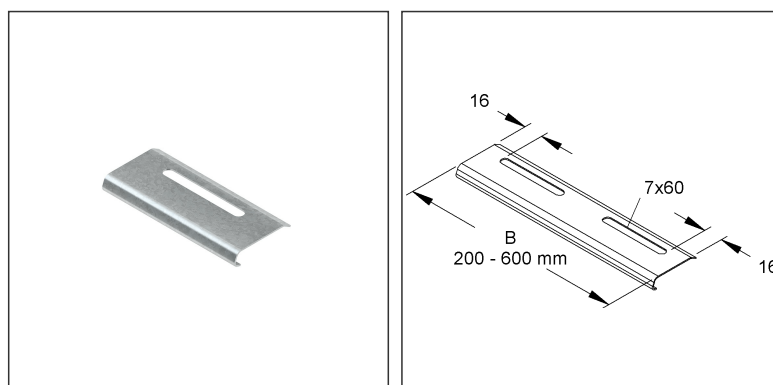
### Edge Protection Plate

with rounded edges

### RKB 150 F

EAN Code: 4013339563609  
Smallest packaging unit: 10 pcs.

the photorealistic images are to be considered as reference images



### Article Description

Edge protection plate, width 142 mm, steel, hot dip galvanised DIN EN ISO 1461, incl. accessories

### Incl. accessories

2 FLM 6X12 F

### Additional Price Information

Article group	N13
quantity unit	pcs.

### Weight

Weight per quantity unit	75 g / pcs.
Weight in kg per 100	7,42 kg / 100pcs.

# Technical Datasheet

## Cable Tray System

RKB 150 F

the photorealistic images are to be considered as reference images

### Physical Article Dimensions

Height	10.40 mm
Width	142.00 mm
Depth/length	43.00 mm

### Packing Dimension

<b>10 pieces = 1</b>		✓ VP1-smallest packaging unit ( PU)		✓ VP1-preferred PU	
Lenght	138.00 mm	Width	96.00 mm	Height	71.00 mm
Gross weight	0,8 kg	Volume	0,001 m <sup>3</sup>		
Min. quantity	10.00 pcs.	Max. Quantity	10.00 pcs.		

<b>2520 pieces = 1</b>					
Lenght	750 mm	Width	750 mm	Height	730 mm
Gross weight	242 kg	Volume	0,411 m <sup>3</sup>		
Min. Quantity	2.520.00 pcs.	Max. Quantity	2.520.00 pcs.		

### Tender Text

Edge protection plate, with rounded edges, for cable trays, to reinforce the cable tray bottom, to protect the cables at the transition, including proportional fastening accessories.

The edge protection plate must be arranged in personal danger areas!  
VDE certified!

Please observe additional regulations for use in functional maintenance!

Used for : cable trays 150 mm tray width

Dimensions (approx. dimensions)

Width W : 142 mm

Fastening holes : 7 x 45 mm and 7 x 60 mm

Material : steel, hot-dip galvanised acc. to DIN EN ISO 1461

NIEDAX Model No. : RKB 150 F

EP Material \_\_\_\_\_ EP Wage \_\_\_\_\_

Unit price/piece

### Safety & Environment

REACH Date	25.06.2025
REACH Info	Conformable
RoHS Info	Conformable

### Origin & International Trade

Country of origin	DE
Federal State of Origin	RP
Customs tariff number	73089059