

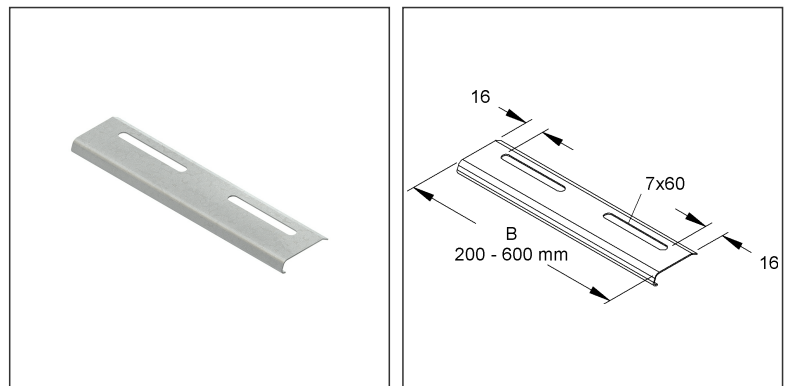
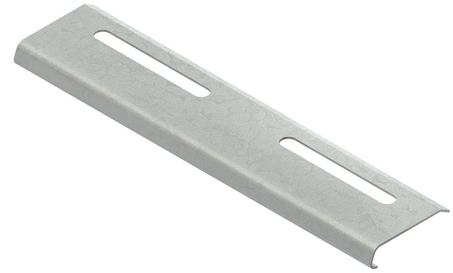
### Edge Protection Plate

with rounded edges

### RKB 200 F

EAN Code: 4013339563708  
 Smallest packaging unit: 10 pcs.

the photorealistic images are to be considered as reference images



### Article Description

Edge protection plate, width 192 mm, steel, hot dip galvanised DIN EN ISO 1461, incl. accessories

### Incl. accessories

2 FLM 6X12 F

### Additional Price Information

Article group	N13
quantity unit	pcs.

### Weight

Weight per quantity unit	97 g / pcs.
Weight in kg per 100	9,6 kg / 100pcs.

# Technical Datasheet

## Cable Tray System

RKB 200 F

the photorealistic images are to be considered as reference images

### Physical Article Dimensions

Height	10.40 mm
Width	192.00 mm
Depth/length	43.00 mm

### Packing Dimension

<b>10 pieces = 1</b>		✓ VP1-smallest packaging unit ( PU)		✓ VP1-preferred PU	
Lenght	56.00 mm	Width	49.00 mm	Height	274 mm
Gross weight	0,98 kg	Volume	0,001 m <sup>3</sup>		
Min. quantity	10.00 pcs.	Max. Quantity	10.00 pcs.		

<b>2400 pieces = 1</b>					
Lenght	750 mm	Width	750 mm	Height	730 mm
Gross weight	275 kg	Volume	0,411 m <sup>3</sup>		
Min. Quantity	2.400.00 pcs.	Max. Quantity	2.400.00 pcs.		

### Tender Text

Edge protection plate, with rounded edges, for cable trays, to reinforce the cable tray bottom, to protect the cables at the transition, including proportional fastening accessories.

The edge protection plate must be arranged in personal danger areas!  
VDE certified!

Please observe additional regulations for use in functional maintenance!

Used for : cable trays 200 mm tray width

Dimensions (approx. dimensions)

Width W : 192 mm

Fastening holes : twice 7 x 60 mm

Material : steel, hot-dip galvanised acc. to DIN EN ISO 1461

NIEDAX Model No. : RKB 100 F

EP Material \_\_\_\_\_ EP Wage \_\_\_\_\_

Unit price/piece

### Safety & Environment

REACH Date	25.06.2025
REACH Info	Conformable
RoHS Info	Conformable

### Origin & International Trade

Country of origin	DE
Federal State of Origin	RP
Customs tariff number	73089059