

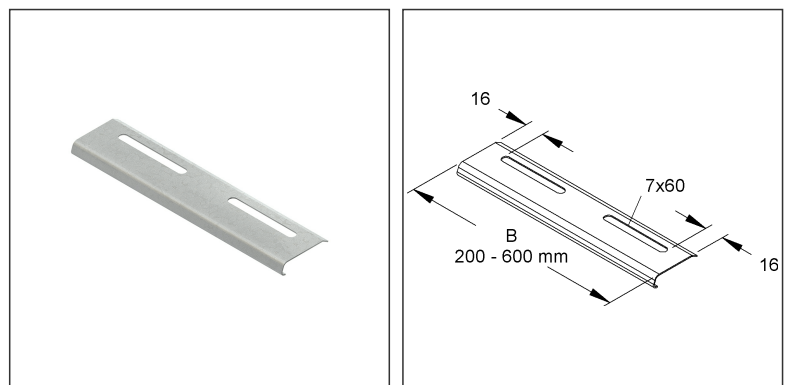
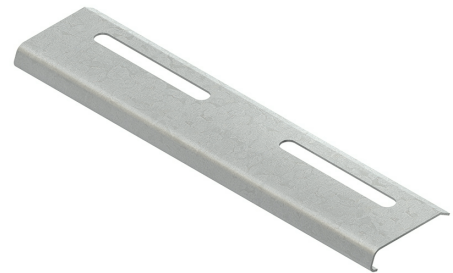
Edge Protection Plate

with rounded edges

RKB 250 F

EAN Code: 4013339563807
Smallest packaging unit: 10 pcs.

the photorealistic images are to be considered as reference images



Article Description

Edge protection plate, width 242 mm, steel, hot dip galvanised DIN EN ISO 1461, incl. accessories

Incl. accessories

2 FLM 6X12 F

Additional Price Information

Article group	N13
quantity unit	pcs.

Weight

Weight per quantity unit	119 g / pcs.
Weight in kg per 100	12 kg / 100pcs.

Technical Datasheet

Cable Tray System

RKB 250 F

the photorealistic images are to be considered as reference images

Physical Article Dimensions

Height	10.40 mm
Width	242 mm
Depth/length	43.00 mm

Packing Dimension

10 pieces = 1		✓ VP1-smallest packaging unit (PU)		✓ VP1-preferred PU	
Lenght	56.00 mm	Width	49.00 mm	Height	274 mm
Gross weight	1,21 kg	Volume	0,001 m ³		
Min. quantity	10.00 pcs.	Max. Quantity	10.00 pcs.		

2100 pieces = 1					
Lenght	750 mm	Width	750 mm	Height	730 mm
Gross weight	289 kg	Volume	0,411 m ³		
Min. Quantity	2.100.00 pcs.	Max. Quantity	2.100.00 pcs.		

Tender Text

Edge protection plate, with rounded edges, for cable trays, to reinforce the cable tray bottom, to protect the cables at the transition, including proportional fastening accessories.

The edge protection plate must be arranged in personal danger areas!
VDE certified!

Used for : cable trays 250 mm tray width

Dimensions (approx. dimensions)

Width W : 242 mm

Fastening holes : twice 7 x 60 mm

Material : steel, hot-dip galvanised acc. to DIN EN ISO 1461

NIEDAX Model No. : RKB 200 F

EP Material _____ EP Wage _____

Unit price/piece

Safety & Environment

REACH Date	25.06.2025
REACH Info	Conformable
RoHS Info	Conformable

Origin & International Trade

Country of origin	DE
Federal State of Origin	RP
Customs tariff number	73089059