

Sleeve Conduit-fm

with sleeve integrally formed

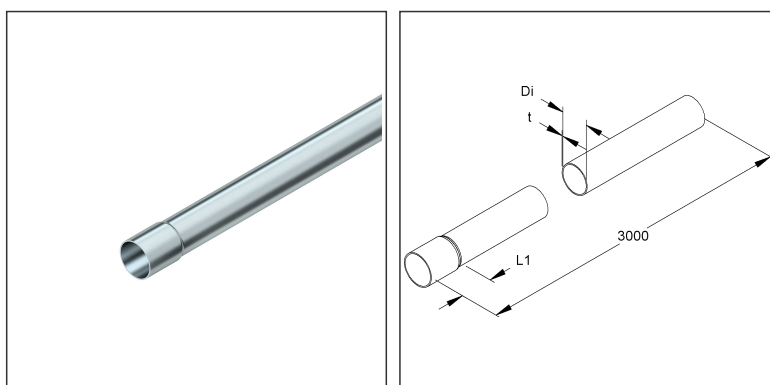
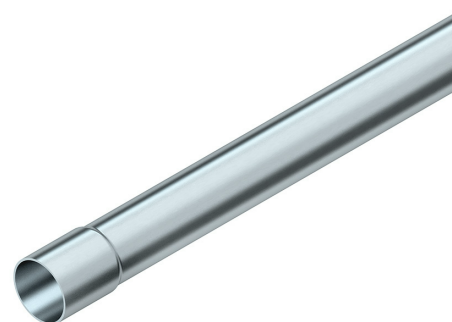
FM-MR 25 E5

EAN Code: 4046933004285

Smallest packaging unit:3 m

quantity unit:m M

the photorealistic images are to be considered as reference images



Article Description

Sleeve conduit, with sleeve integrally formed,conduit-A-Ø 25 mm,L=3000, Edelstahl, Werkstoff-Nr.: 1.4571, gebürstet

Additional Price Information

Article group	FT-Rohr
quantity unit	m

Weight

Weight per quantity unit	717 g/ m
Weight in kg per 100	72 kg/ 100m

Technical Datasheet

Electrical installation conduit

FM-MR 25 E5

the photorealistic images are to be considered as reference images

Physical Article Dimensions

Height	27.60 mm
Width	27.60 mm
Depth/length	3000 mm
Diameter	27.60 mm

Packing Dimension

3 meters = 1 piece		✓ VP1-smallest packaging unit (PU)		✓ VP1-preferred PU	
Lenght	3000 mm	Width	28.00 mm	Height	28.00 mm
Gross weight	2,15 kg	Volume	0,002 m ³		
Min. quantity	3.00 m	Max. Quantity	3.00 m		

1260 meters = 1 rack					
Lenght	3000 mm	Width	1162 mm	Height	1120 mm
Gross weight	1001 kg	Volume	3,904 m ³		
Min. Quantity	1.260.00 m	Max. Quantity	1.260.00 m		

Tender Text

Sleeve conduit-fm acc. to DIN EN 61386-1 / DIN EN 61386-21, with sleeve moulded on one side, can be used for extreme mechanical requirements and strong connections due to its very high compressive strength, very high corrosion resistance.

Dimensions (approx. dimensions)

Conduit-Ø outside : 25 mm

Inside-Ø Di : 22.6 mm

Material thickness t : 1.2 mm

Length of sleeve inside : 32 mm

Delivery length L total : 3000 mm

Usable cross-section : 401 mm²

Classification: 5557 for very heavy mechanical stress

Surface : brushed

Material : stainless steel, material no. 1.4571, AISI 316Ti

Fintech model no. : FM-MR 25 E5

EP Material _____ EP Wage _____

Unit price/meter

Safety & Environment

REACH Date	25.06.2025
REACH Info	Conformable
RoHS Info	Conformable

Origin & International Trade

Country of origin	DE
Customs tariff number	73064080

Technical Datasheet

Electrical installation conduit

FM-MR 25 E5

the photorealistic images are to be considered as reference images

Related items

Accessories

Model No.	Description
IEE 25	End nozzle, for conduit-Ø 25 mm, inner and outer thighs of equal lengt, Kunststoff, PVC-weich, RAL 7001, silbergrau
IEEK 25	End nozzle, for conduit-Ø 25 mm, with short inner thigh, plastics, polyethylene, RAL 7035, light grey
IEEK 25 A	End nozzle, for conduit-Ø 25 mm, with short inner thigh, Kunststoff, Polyethylen, RAL 9005, schwarz
IESB 25 E5	Plug-in conduit elbow 90°, for conduit-Ø 25 mm, inner radius 70,3 mm, stainless steel, material code: 1.4571, AISI 316Ti
IPA 25 G E5	Conduit- a. cable distance clamp, f. conduit-Ø M25, clamp. range 24-29, Edelstahl, Werkstoff-Nr.: 1.4571