

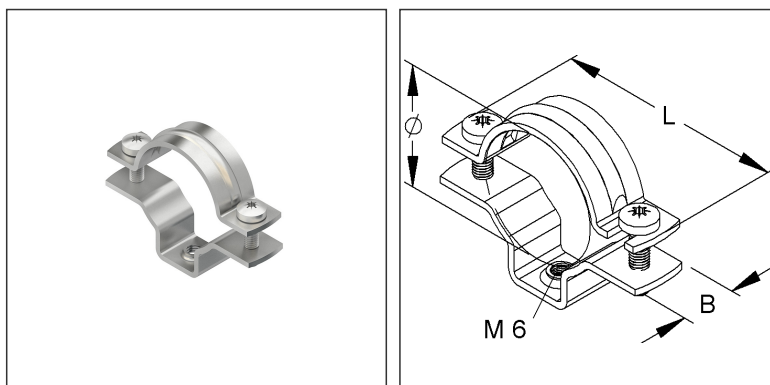
Conduit- and Cable Distance Clamp

with female connection thread M6

IPA 20 G E5

EAN Code: 4046933001741
 Smallest packaging unit: 50 pcs.

the photorealistic images are to be considered as reference images



Article Description

Conduit- a. cable distance clamp, f. conduit-Ø M20, clamp. range 19-24, Edelstahl, Werkstoff-Nr.: 1.4571

Additional Price Information

Article group	FT-Rohr
quantity unit	pcs.

Weight

Weight per quantity unit	27 g / pcs.
Weight in kg per 100	2,66 kg / 100pcs.

Physical Article Dimensions

Height	34.00 mm
Width	52.20 mm
Depth/length	14.00 mm

Technical Datasheet

Electrical installation conduit

IPA 20 G E5

the photorealistic images are to be considered as reference images

Packing Dimension

1 piece = 1 piece		✓ VP1-smallest packaging unit (PU)			
Lenght	14.00 mm	Width	53.00 mm	Height	34.00 mm
Gross weight	0,03 kg	Volume	0,000 m ³		
Min. quantity	1.00 pcs.	Max. Quantity	1.00 pcs.		
50 pieces = 1		✓ VP2-preferred PU			
Lenght	138.00 mm	Width	128.00 mm	Height	71.00 mm
Gross weight	1,26 kg	Volume	0,001 m ³		
Min. Quantity	50.00 pcs.	Max. Quantity	50.00 pcs.		
500 pieces = 1 covering box					
Gross weight	13 kg	Volume	0,014 m ³		
Min. Quantity	500.00 pcs.	Max. Quantity	500.00 pcs.		
Lenght	375 mm	Width	282 mm	Height	133.00 mm

Tender Text

Conduit- and cable distance clamp, with M 6 internal thread, for screwing onto screw anchors up to 8 mm thread length, for fastening push-in pipes, threaded pipes and socket pipes-fm to a flat wall/ceiling.
 Please note: For safety reasons, we recommend using IPA... pipe and cable spacer clamps for overhead installations.
 Used for: cables and electrical conduits according to DIN EN 61386-21
 fixing plug-in pipes IESR ...
 sleeve conduit-fm FM-MR ...
 Dimensions (approx. dimensions)
 Width W x length L : 14 x 53 mm
 Internal connection thread : M 6
 for cable clamping range-Ø : 19 - 24 mm
 for pipe-Ø : 20 mm
 Material complete : stainless steel, material No. 1.4571, AISI 316Ti
 Fintech Model No. : IPA 20 G E5
 EP Material_____ EP Wage_____
 Unit price/piece

Safety & Environment

REACH Date	25.06.2025
REACH Info	Conformable
RoHS Info	Conformable

Origin & International Trade

Country of origin	DE
Customs tariff number	73269098