

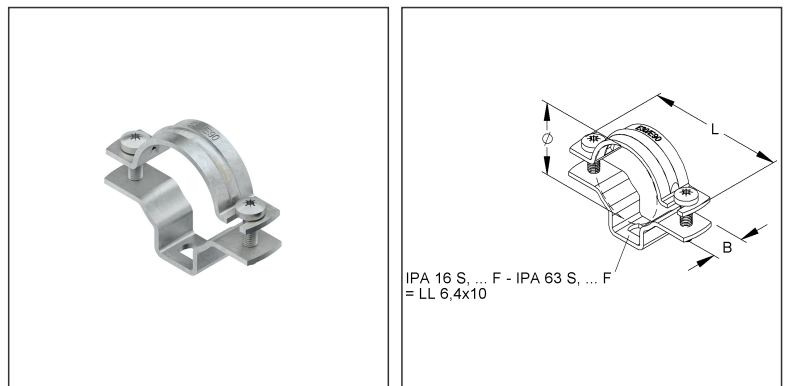
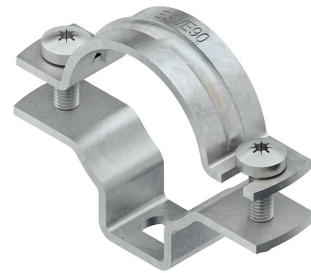
**Conduit- and Cable Distance Clamp**

with fixing slot

IPA 25 F

EAN Code: 4046933001703  
 Smallest packaging unit: 50 pcs.

the photorealistic images are to be considered as reference images



**Article Description**

Conduit- a. cable distance clamp, f. conduit-Ø M25, clamp. range 24-29, Stahl, feuerverzinkt DIN EN ISO 1461

**Additional Price Information**

Article group	FT-Rohr
quantity unit	pcs.

**Weight**

Weight per quantity unit	42 g / pcs.
Weight in kg per 100	4,2 kg / 100pcs.

# Technical Datasheet

## Electrical installation conduit

IPA 25 F

the photorealistic images are to be considered as reference images

### Physical Article Dimensions

Height	38.50 mm
Width	60.00 mm
Depth/length	14.00 mm

### Packing Dimension

<b>1 piece = 1 piece</b>		✓ VP1-smallest packaging unit ( PU)			
Lenght	14.00 mm	Width	60.00 mm	Height	39.00 mm
Gross weight	0,04 kg	Volume	0,000 m <sup>3</sup>		
Min. quantity	1.00 pcs.	Max. Quantity	1.00 pcs.		
<b>50 pieces = 1</b>		✓ VP2-preferred PU			
Lenght	192.00 mm	Width	138.00 mm	Height	71.00 mm
Gross weight	2,09 kg	Volume	0,002 m <sup>3</sup>		
Min. Quantity	50.00 pcs.	Max. Quantity	50.00 pcs.		
<b>500 pieces = 1 covering box</b>					
Gross weight	21 kg	Volume	0,020 m <sup>3</sup>		
Min. Quantity	500.00 pcs.	Max. Quantity	500.00 pcs.		
Lenght	370 mm	Width	282 mm	Height	196.00 mm

### Tender Text

Conduit- and cable distance clamp, with long fixing hole, for fixing plug-in pipes, threaded pipes and socket pipes-fm to a flat wall/ceiling.  
 Please note: for safety reasons, we recommend using IPA... conduit and cable distance clamp for overhead installations.  
 Used for: cables and electrical conduits according to DIN EN 61386-21  
 fixing plug-in pipes IESR ...  
 threaded conduit IEGR ...  
 sleeve conduit-fm FM-MR ...  
 Dimensions (approx. dimensions)  
 Width W x length L : 14 x 60 mm  
 Fastening hole : 6.4 x 10 mm  
 for clamping range-Ø : 24 - 29 mm  
 for pipe-Ø : 25 mm  
 Material : steel, hot-dip galvanised according to DIN EN ISO 1461  
 Material screws : stainless steel, material No. 1.4301, AISI 304  
 Fintech Model No. : IPA 25 F  
 EP Material\_\_\_\_\_ EP Wage\_\_\_\_\_  
 Unit price/piece

### Safety & Environment

REACH Date	25.06.2025
REACH Info	Conformable
RoHS Info	Conformable

# Technical Datasheet

## Electrical installation conduit

IPA 25 F

the photorealistic images are to be considered as reference images

### Origin & International Trade

Country of origin	DE
Customs tariff number	73269098