

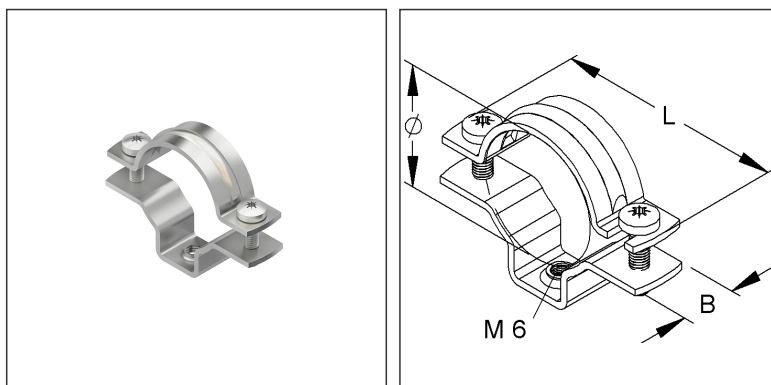
## Conduit- and Cable Distance Clamp

with female connection thread M6

IPA 25 G E5

EAN Code: 4046933001697  
 Smallest packaging unit: 50 pcs.

the photorealistic images are to be considered as reference images



### Article Description

Conduit- a. cable distance clamp, f. conduit-Ø M25, clamp. range 24-29, Edelstahl, Werkstoff-Nr.: 1.4571

### Additional Price Information

Article group	FT-Rohr
quantity unit	pcs.

### Weight

Weight per quantity unit	42 g / pcs.
Weight in kg per 100	4,14 kg / 100pcs.

### Physical Article Dimensions

Height	38.50 mm
Width	60.00 mm
Depth/length	14.00 mm

# Technical Datasheet

## Electrical installation conduit

IPA 25 G E5

the photorealistic images are to be considered as reference images

### Packing Dimension

<b>1 piece = 1 piece</b>		✓ VP1-smallest packaging unit ( PU)			
Lenght	14.00 mm	Width	60.00 mm	Height	39.00 mm
Gross weight	0,04 kg	Volume	0,000 m <sup>3</sup>		
Min. quantity	1.00 pcs.	Max. Quantity	1.00 pcs.		
<b>50 pieces = 1</b>		✓ VP2-preferred PU			
Lenght	192.00 mm	Width	138.00 mm	Height	71.00 mm
Gross weight	1,97 kg	Volume	0,002 m <sup>3</sup>		
Min. Quantity	50.00 pcs.	Max. Quantity	50.00 pcs.		
<b>500 pieces = 1 covering box</b>					
Gross weight	20 kg	Volume	0,020 m <sup>3</sup>		
Min. Quantity	500.00 pcs.	Max. Quantity	500.00 pcs.		
Lenght	370 mm	Width	282 mm	Height	196.00 mm

### Tender Text

Conduit- and cable distance clamp, with M 6 internal thread, for screwing onto screw anchors up to 8 mm thread length, for fastening push-in pipes, threaded pipes and socket pipes-fm to a flat wall/ceiling.  
 Please note: For safety reasons, we recommend using IPA... pipe and cable spacer clamps for overhead installations.  
 Used for: cables and electrical conduits according to DIN EN 61386-21  
 fixing plug-in pipes IESR ...  
 sleeve conduit-fm FM-MR ...  
 Dimensions (approx. dimensions)  
 Width W x length L : 14 x 60 mm  
 Internal connection thread : M 6  
 for cable clamping range-Ø : 24 - 29 mm  
 for pipe-Ø : 25 mm  
 Material complete : stainless steel, material No. 1.4571, AISI 316Ti  
 Fintech Model No. : IPA 25 G E5  
 EP Material\_\_\_\_\_ EP Wage\_\_\_\_\_  
 Unit price/piece

### Safety & Environment

REACH Date	25.06.2025
REACH Info	Conformable
RoHS Info	Conformable

### Origin & International Trade

Country of origin	DE
Customs tariff number	73269098