

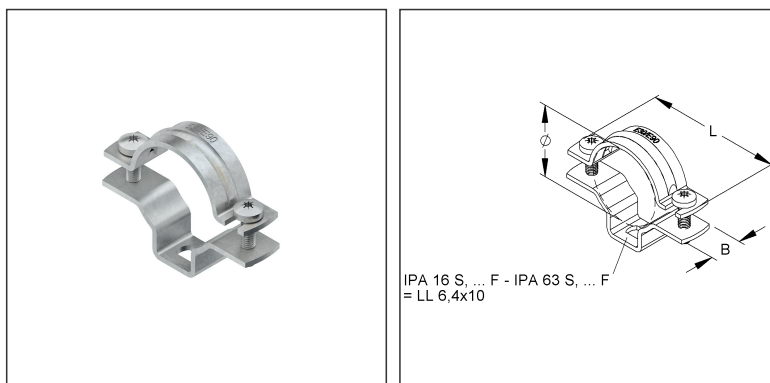
Conduit- and Cable Distance Clamp

with fixing slot

IPA 32 F

EAN Code: 4046933001659
 Smallest packaging unit: 25 pcs.

the photorealistic images are to be considered as reference images



Article Description

Conduit- a. cable distance clamp, f. conduit-Ø M32, clamp. range 29-38, Stahl, feuerverzinkt DIN EN ISO 1461

Additional Price Information

Article group	FT-Rohr
quantity unit	pcs.

Weight

Weight per quantity unit	53 g / pcs.
Weight in kg per 100	5,29 kg / 100pcs.

Technical Datasheet

Electrical installation conduit

IPA 32 F

the photorealistic images are to be considered as reference images

Physical Article Dimensions

Height	45.00 mm
Width	67.50 mm
Depth/length	16.00 mm

Packing Dimension

1 piece = 1 piece		✓ VP1-smallest packaging unit (PU)			
Lenght	16.00 mm	Width	68.00 mm	Height	45.00 mm
Gross weight	0,05 kg	Volume	0,000 m ³		
Min. quantity	1.00 pcs.	Max. Quantity	1.00 pcs.		
25 pieces = 1		✓ VP2-preferred PU			
Lenght	138.00 mm	Width	128.00 mm	Height	71.00 mm
Gross weight	1,36 kg	Volume	0,001 m ³		
Min. Quantity	25.00 pcs.	Max. Quantity	25.00 pcs.		
250 pieces = 1 covering box					
Gross weight	14 kg	Volume	0,014 m ³		
Min. Quantity	250.00 pcs.	Max. Quantity	250.00 pcs.		
Lenght	375 mm	Width	282 mm	Height	133.00 mm

Tender Text

Conduit- and cable distance clamp, with long fixing hole, for fixing plug-in pipes, threaded pipes and socket pipes-fm to a flat wall/ceiling.
 Please note: for safety reasons, we recommend using IPA... conduit and cable distance clamp for overhead installations.
 Used for: cables and electrical conduits according to DIN EN 61386-21
 fixing plug-in pipes IESR ...
 threaded conduit IEGR ...
 sleeve conduit-fm FM-MR ...
 Dimensions (approx. dimensions)
 Width W x length L : 14 x 69 mm
 Fastening hole : 6.4 x 10 mm
 for clamping range-Ø : 29 - 38 mm
 for pipe-Ø : 32 mm
 Material : steel, hot-dip galvanised according to DIN EN ISO 1461
 Material screws : stainless steel, material No. 1.4301, AISI 304
 Fintech Model No. : IPA 32 F
 EP Material_____ EP Wage_____
 Unit price/piece

Safety & Environment

REACH Date	25.06.2025
REACH Info	Conformable
RoHS Info	Conformable

Technical Datasheet

Electrical installation conduit

IPA 32 F

the photorealistic images are to be considered as reference images

Origin & International Trade

Country of origin	DE
Customs tariff number	73269098