

### GRP-Cable Tray

pressed, with unperforated side rails, without bottom perforation, with moulded connector

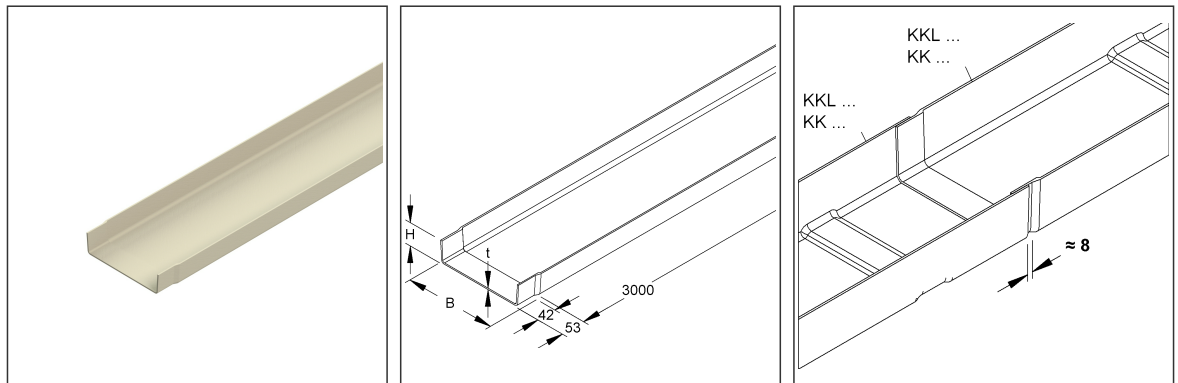
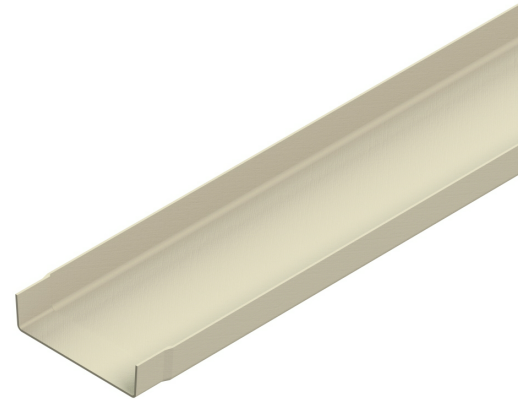
### KK 50.100

EAN Code: 4013339952021

Smallest packaging unit: 3 m

quantity unit: m M

the photorealistic images are to be considered as reference images



### Article Description

GRP-cable tray, 50x100x3000 mm, with connector, unperforated, Polyester glasfaserverstärkt, gepresst, RAL 7032, kieselgrau

### Additional Price Information

Article group	N15
quantity unit	m

### Weight

Weight per quantity unit	980 g / m
Weight in kg per 100	98 kg / 100m

# Technical Datasheet

## Cable Tray System

**KK 50.100**

the photorealistic images are to be considered as reference images

### Physical Article Dimensions

Height	50.00 mm
Width	100.00 mm
Depth/length	3000 mm

### Packing Dimension

<b>3 meters = 1 piece</b>		✓ VP1-smallest packaging unit ( PU)		✓ VP1-preferred PU	
Lenght	3000 mm	Width	100.00 mm	Height	50.00 mm
Gross weight	2,94 kg	Volume	0,015 m <sup>3</sup>		
Min. quantity	3.00 m	Max. Quantity	3.00 m		

<b>648 meters = 1 rack</b>					
Lenght	3000 mm	Width	1162 mm	Height	1120 mm
Gross weight	733 kg	Volume	3,904 m <sup>3</sup>		
Min. Quantity	648.00 m	Max. Quantity	648.00 m		

### Tender Text

GRP cable tray, pressed, with unperforated side beams and bottom, with moulded connector, mechanical strength to IEC 61537, please order proportionate fastening accessories separately, halogen-free.

An expansion distance of 8 mm must be taken into account. Due to the expansion of the material, the following must be observed during installation:

- The cable tray should not be screwed close to or at the joint.
- When screwing the cable tray onto the brackets, a through hole of Ø 9 mm for the FKM 6X20 E4 screws must always be made in the tray.

Article available in various resin mixtures.

Dimensions (approx. dimensions)

Height H x width W : 50 x 100 mm

Material thickness t : 3 mm

Load-bearing capacity F

at a support distance of 1.5 m : 0.3 kN/m

Delivery length : 3000 mm

Usable cross-section : 3696 mm<sup>2</sup>

Material : UP-GF (glass-fibre reinforced polyester)

Colour : pebble grey

RAL : 7032 (similar)

NIEDAX Model No. : KK 50.100

EP Material \_\_\_\_\_ EP Wage \_\_\_\_\_

Unit price/meter

### Safety & Environment

REACH Date	25.06.2025
REACH Info	Conformable
RoHS Info	Conformable

# Technical Datasheet

## Cable Tray System

KK 50.100

the photorealistic images are to be considered as reference images

### Origin & International Trade

Country of origin	FR
Customs tariff number	39259020

### Related items

#### Cover

Model No.	Description
KKD 100	GRP-cover for cable tray/-ladder, 100x3000 mm, Polyester glasfaserverstärkt, gepresst, RAL 7032, kieselgrau

#### Barrier strip

Model No.	Description
FKM 6X16 E4	Slotted mushroom head screw w/. nut and washer, M6x16, Edelstahl, Werkstoff-Nr.: 1.4401, 1.4404
KKT 50	GRP-barrier strip for cable tray, 50x3000 mm, Polyester glasfaserverstärkt, gepresst, RAL 7032, kieselgrau
KKT 50/M	GRP-barrier strip for cable tray, 50x3000 mm, pre-assembled, Polyester glasfaserverstärkt, gepresst, RAL 7032, kieselgrau