

GRP-Cable Tray

pressed, with unperforated side rails, without bottom perforation, with moulded connector

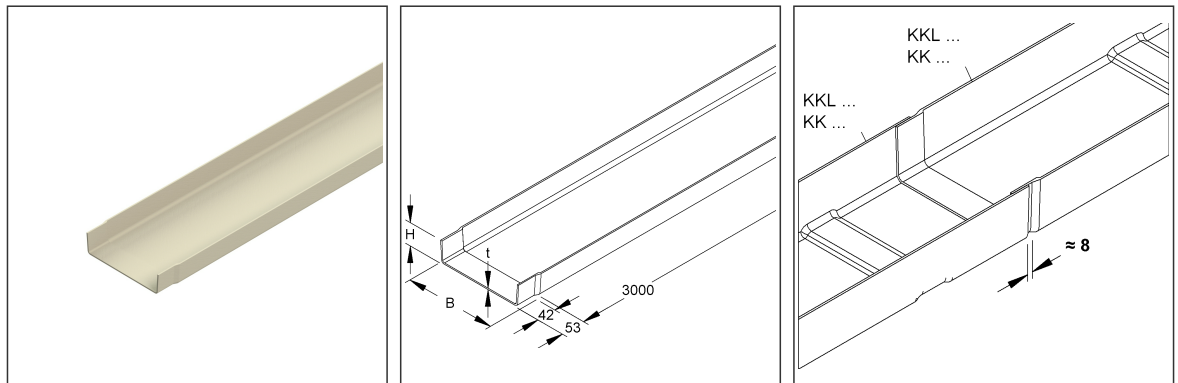
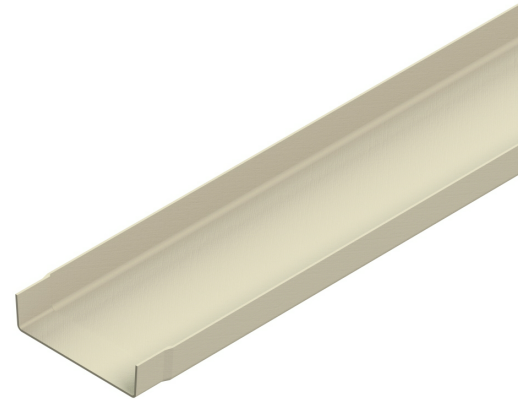
KK 50.150

EAN Code: 4013339952038

Smallest packaging unit: 3 m

quantity unit: m M

the photorealistic images are to be considered as reference images



Article Description

GRP-cable tray, 50x150x3000 mm, with connector, unperforated, Polyester glasfaserverstärkt, gepresst, RAL 7032, kieselgrau

Additional Price Information

Article group	N15
quantity unit	m

Weight

Weight per quantity unit	1,250 kg / m
Weight in kg per 100	125 kg / 100m

Technical Datasheet

Cable Tray System

KK 50.150

the photorealistic images are to be considered as reference images

Physical Article Dimensions

Height	50.00 mm
Width	150.00 mm
Depth/length	3000 mm

Packing Dimension

3 meters = 1 piece		✓ VP1-smallest packaging unit (PU)		✓ VP1-preferred PU	
Lenght	3000 mm	Width	150.00 mm	Height	50.00 mm
Gross weight	3,75 kg	Volume	0,022 m ³		
Min. quantity	3.00 m	Max. Quantity	3.00 m		

432 meters = 1 rack					
Lenght	3000 mm	Width	1162 mm	Height	1120 mm
Gross weight	638 kg	Volume	3,904 m ³		
Min. Quantity	432.00 m	Max. Quantity	432.00 m		

Tender Text

GRP cable tray, pressed, with unperforated side beams and bottom, with moulded connector, mechanical strength to IEC 61537, please order proportional fastening accessories separately, halogen-free.

An expansion distance of 8 mm must be taken into account. Due to the expansion of the material, the following must be observed during installation:

- The cable tray should not be screwed close to or at the joint.
- When screwing the cable tray onto the brackets, a through hole of Ø 9 mm for the FKM 6X20 E4 screws must always be made in the tray.

Article available in various resin mixtures.

Dimensions (approx. dimensions)
 Height H x width W : 50 x 150 mm
 Material thickness t : 3 mm
 Load-bearing capacity F
 at a support distance of 1.5 m : 0.3 kN/m
 Delivery length : 3000 mm
 Usable cross-section : 5896 mm²
 Material : UP-GF (glass-fibre reinforced polyester)
 Colour : pebble grey
 RAL : 7032 (similar)
 NIEDAX Model No. : KK 50.150
 EP Material _____ EP Wage _____
 Unit price/meter

Safety & Environment

REACH Date	25.06.2025
REACH Info	Conformable
RoHS Info	Conformable

Technical Datasheet

Cable Tray System

KK 50.150

the photorealistic images are to be considered as reference images

Origin & International Trade

Country of origin	FR
Customs tariff number	39259020

Related items

Cover

Model No.	Description
KKD 150	GRP-cover for cable tray/-ladder, 150x3000 mm, Polyester glasfaserverstärkt, gepresst, RAL 7032, kieselgrau

Barrier strip

Model No.	Description
FKM 6X16 E4	Slotted mushroom head screw w/. nut and washer, M6x16, Edelstahl, Werkstoff-Nr.: 1.4401, 1.4404
KKT 50	GRP-barrier strip for cable tray, 50x3000 mm, Polyester glasfaserverstärkt, gepresst, RAL 7032, kieselgrau
KKT 50/M	GRP-barrier strip for cable tray, 50x3000 mm, pre-assembled, Polyester glasfaserverstärkt, gepresst, RAL 7032, kieselgrau