

GRP-Cable Tray

pressed, with unperforated side rails, with bottom perforation, with moulded connector, with transverse bottom reinforcements (5 mm)

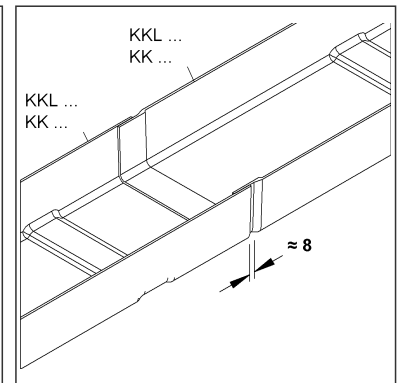
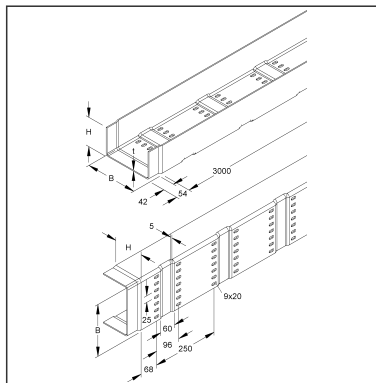
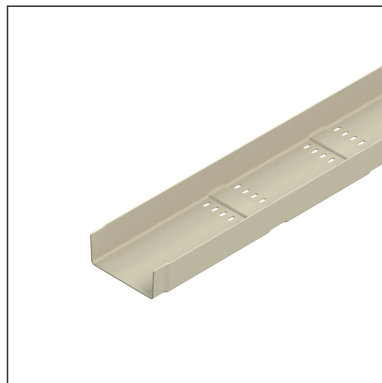
KKL 110.200

EAN Code: 4013339952359

Smallest packaging unit: 3 m

quantity unit: m M

the photorealistic images are to be considered as reference images



Article Description

GRP Cable tray, 110x200x3000 mm, w/. moulded connector, perforated, Polyester glasfaserverstärkt, gepresst, RAL 7032, kieselgrau

Additional Price Information

Article group	N15
quantity unit	m

Weight

Weight per quantity unit	3,000 kg / m
Weight in kg per 100	300 kg / 100m

Technical Datasheet

Cable Tray System

KKL 110.200

the photorealistic images are to be considered as reference images

Physical Article Dimensions

Height	110.00 mm
Width	200.00 mm
Depth/length	3000 mm

Packing Dimension

3 meters = 1 piece		✓ VP1-smallest packaging unit (PU)		✓ VP1-preferred PU	
Lenght	3000 mm	Width	200.00 mm	Height	110.00 mm
Gross weight	9 kg	Volume	0,066 m ³		
Min. quantity	3.00 m	Max. Quantity	3.00 m		

144 meters = 1 rack					
Lenght	3000 mm	Width	1162 mm	Height	1120 mm
Gross weight	530 kg	Volume	3,904 m ³		
Min. Quantity	144.00 m	Max. Quantity	144.00 m		

Tender Text

GRP cable tray, pressed, with unperforated side rails and moulded connector, with transverse reinforcements (5 mm) over the entire cable tray width as well as seven-row fastening holes in the bottom, mechanical strength acc. to IEC 61537, please order proportional fastening accessories separately, halogen-free. Due to the transverse reinforcements, the cable tray is also approved for use with high-frequency cables acc. to UTE C15-900 (application class D, frequency 16 MHz).

An expansion distance of 8 mm must be taken into account. Due to the expansion of the material, the following must be observed during installation:

- The cable tray should not be screwed close to or at the joint.
- When screwing the cable tray onto the brackets, a through hole of Ø 9 mm for the FKM 6X20 E4 screws must always be made in the tray.

Article available in various resin mixtures.

Dimensions (approx. Dimensions)

H x W : 110 x 200 mm

Material thickness t : 4 mm

Bottom beading : 60 x 5 mm

Bottom beading pitch : 250 mm

Bottom perforation : 9 x 20 mm

Row distance : 25 mm

Bottom perforation distance pitch : 250 mm

Load-bearing capacity F

at a support distance of 1.5 m : 1.2 kN/m

Delivery length : 3000 mm

Usable cross-section : 18156 mm²

Material : UP-GF (glass-fibre reinforced polyester)

Colour : pebble grey

RAL : 7032 (similar)

NIEDAX Model No. : KKL 110.200

EP Material _____ EP Wage _____

Unit price/meter

Technical Datasheet

Cable Tray System

KKL 110.200

the photorealistic images are to be considered as reference images

Safety & Environment

REACH Date	25.06.2025
REACH Info	Conformable
RoHS Info	Conformable

Origin & International Trade

Country of origin	FR
Customs tariff number	39259020

Related items

Cover

Model No.	Description
KKD 200	GRP-cover for cable tray/-ladder, 200x3000 mm, Polyester glasfaserverstärkt, gepresst, RAL 7032, kieselgrau

Barrier strip

Model No.	Description
FKM 6X16 E4	Slotted mushroom head screw w/. nut and washer, M6x16, Edelstahl, Werkstoff-Nr.: 1.4401, 1.4404
KKT 110	GRP Barrier strip, 110x3000 mm, Polyester glasfaserverstärkt, gepresst, RAL 7032, kieselgrau
KKT 110/M	GRP-barrier strip for cable tray, 110x3000 mm, pre-assembled, glass fiber reinforced polyester, pressed, RAL 7032, pebble grey