

### GRP-Cable Ladders

pultruded, with unperforated C-profile rungs open at the top, slot width approx. 15 mm

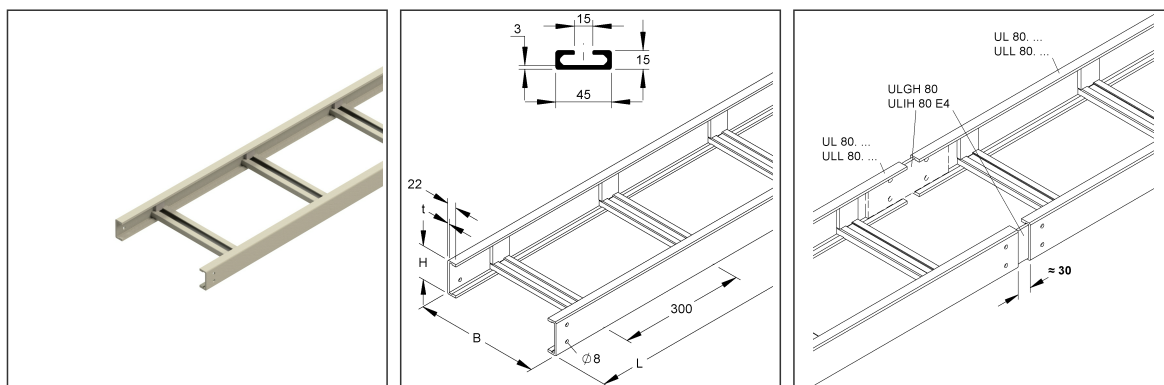
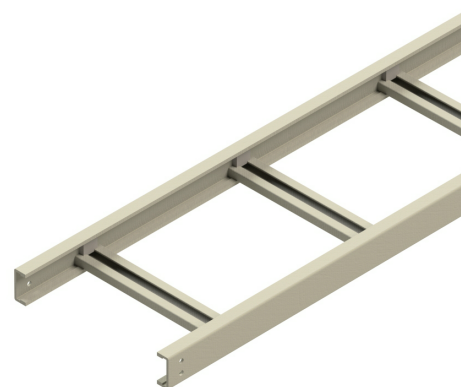
### UL 80.200/3

EAN Code: 4013339958092

Smallest packaging unit: 3 m

quantity unit: m M

the photorealistic images are to be considered as reference images



### Article Description

GRP-Cable ladder, 80x200x3000 mm, with unperforated rungs, Polyester glasfaserverstärkt, pultrudiert, RAL 7032, kieselgrau

### Additional Price Information

Article group	N15
quantity unit	m

### Weight

Weight per quantity unit	2,300 kg / m
Weight in kg per 100	230 kg / 100m

# Technical Datasheet

## Cable Ladder System

UL 80.200/3

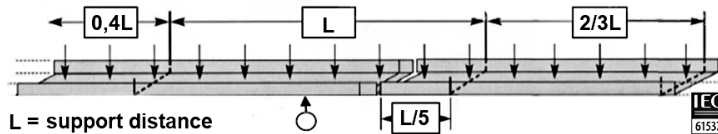
the photorealistic images are to be considered as reference images

### Physical Article Dimensions

Height	80.00 mm
Width	200.00 mm
Depth/length	3000 mm

### Load Specifications

Please contact us for larger or different support distances. Load values apply to cable tray lengths, mounted in the horizontal plane, horizontal running direction with several support distances.



UL 80 series - Maximum loads		
Ladder length (m)	Support span (m)	Maximum load (kN/m)
3	1	1,6
	1,5	1,6
6	1	1,6
	1,5	1,6
	2	1,6
	3	1,6

Note: The deflection of the cable ladders was measured with a positioning of the connectors of L/5 of the fastening distance between 2 brackets. If this distance is not maintained, the deflection can increase by up to 30%.

### Packing Dimension

<b>3 meters = 1 piece</b>		✓ VP1-smallest packaging unit ( PU)	✓ VP1-preferred PU		
Lenght	3000 mm	Width	200.00 mm	Height	80.00 mm
Gross weight	6,9 kg	Volume	0,048 m <sup>3</sup>		
Min. quantity	3.00 m	Max. Quantity	3.00 m		

### Tender Text

GRP cable ladder according to DIN EN 61537, pultruded, consisting of U-shaped unperforated side rails but with connector perforations for the connection and open, clamped, unperforated rungs made of C-profile with a slot width of approx. 15 mm, for horizontal installation, halogen-free.

The rungs are fastened with a metal-free, patented clamp attachment, so the cable ladder is made of 100% glass fiber reinforced plastic (GRP).

When installing the cable ladder, a mounting distance of approx. 30 mm must be taken into account.

Dimensions (approx. dimensions) H x W : 80 x 200 mm  
 Material thickness spar : 4 mm  
 Rung spacing : 300 mm  
 Side rail perforation: Ø 8 mm  
 center distance : 40 mm

# Technical Datasheet

## Cable Ladder System

UL 80.200/3

the photorealistic images are to be considered as reference images

### Tender Text

Delivery length L : 3000 mm  
Usable cross-section : 9570 mm<sup>2</sup>  
Material : UP-GF (glass fibre reinforced polyester)  
Colour : pebble grey RAL : 7032 (similar)  
NIEDAX Model No. : UL 80.200/3  
EP Material\_\_\_\_\_ EP Wage\_\_\_\_\_  
Unit price/metre

### Safety & Environment

REACH Date	25.06.2025
REACH Info	Conformable
RoHS Info	Conformable

### Origin & International Trade

Country of origin	FR
Customs tariff number	39259020

### Related items

#### Barrier strip

Model No.	Description
ULTL 80	GRP-barrier strip for cable ladder, 57x3000 mm, Polyester glasfaserverstärkt, gepresst, RAL 7032, kieselgrau