

GRP-Cable Ladders

pultruded, with unperforated C-profile rungs open at the top, slot width approx. 15 mm

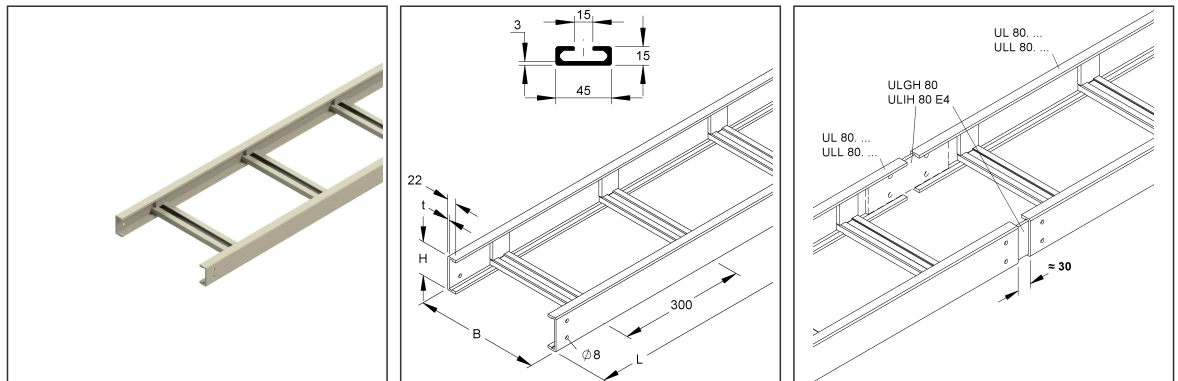
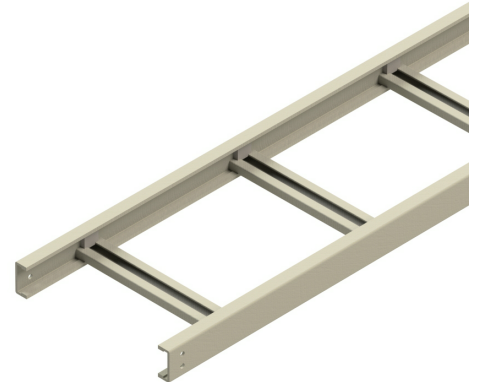
UL 80.400

EAN Code: 4013339958122

Smallest packaging unit: 6 m

quantity unit: m M

the photorealistic images are to be considered as reference images



Article Description

GRP-Cable ladder, 80x400x6000 mm, with unperforated rungs, Polyester glasfaserverstärkt, pultrudiert, RAL 7032, kieselgrau

Additional Price Information

Article group	N15
quantity unit	m

Weight

Weight per quantity unit	2,600 kg / m
Weight in kg per 100	260 kg / 100m

Technical Datasheet

Cable Ladder System

UL 80.400

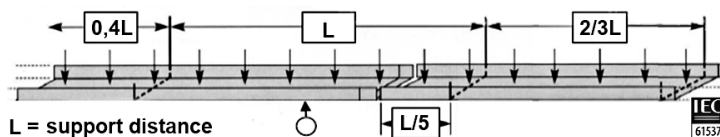
the photorealistic images are to be considered as reference images

Physical Article Dimensions

Height	80.00 mm
Width	400 mm
Depth/length	6000 mm

Load Specifications

Please contact us for larger or different support distances. Load values apply to cable tray lengths, mounted in the horizontal plane, horizontal running direction with several support distances.



UL 80 series - Maximum loads		
Ladder length (m)	Support span (m)	Maximum load (kN/m)
3	1	1,6
	1,5	1,6
6	1	1,6
	1,5	1,6
	2	1,6
	3	1,6

Note: The deflection of the cable ladders was measured with a positioning of the connectors of L/5 of the fastening distance between 2 brackets. If this distance is not maintained, the deflection can increase by up to 30%.

Packing Dimension

6 meters = 1 piece		✓ VP1-smallest packaging unit (PU)			
Lenght	6000 mm	Width	400 mm	Height	80.00 mm
Gross weight	16 kg	Volume	0,192 m ³		
Min. quantity	6.00 m	Max. Quantity	6.00 m		

Tender Text

GRP cable ladder according to DIN EN 61537, pultruded, consisting of U-shaped unperforated side rails but with connector perforations for the connection and open, clamped, unperforated rungs made of C-profile with a slot width of approx. 15 mm, for horizontal installation, halogen-free.

The rungs are fastened with a metal-free, patented clamp attachment, so the cable ladder is made of 100% glass fiber reinforced plastic (GRP).

When installing the cable ladder, a mounting distance of approx. 30 mm must be taken into account.

Dimensions (approx. dimensions) H x W : 80 x 400 mm
 Material thickness spar : 4 mm
 Rung spacing : 300 mm
 Side rail perforation: Ø 8 mm
 center distance : 40 mm

Technical Datasheet

Cable Ladder System

UL 80.400

the photorealistic images are to be considered as reference images

Tender Text

Delivery length L : 6000 mm
Usable cross-section : 20070 mm²
Material : UP-GF (glass fibre reinforced polyester)
Colour : pebble grey RAL : 7032 (similar)
NIEDAX Model No. : UL 80.400
EP Material_____ EP Wage_____
Unit price/metre

Safety & Environment

REACH Date	25.06.2025
REACH Info	Conformable
RoHS Info	Conformable

Origin & International Trade

Country of origin	FR
Customs tariff number	39259020

Related items

Barrier strip

Model No.	Description
ULTL 80	GRP-barrier strip for cable ladder, 57x3000 mm, Polyester glasfaserverstärkt, gepresst, RAL 7032, kieselgrau