

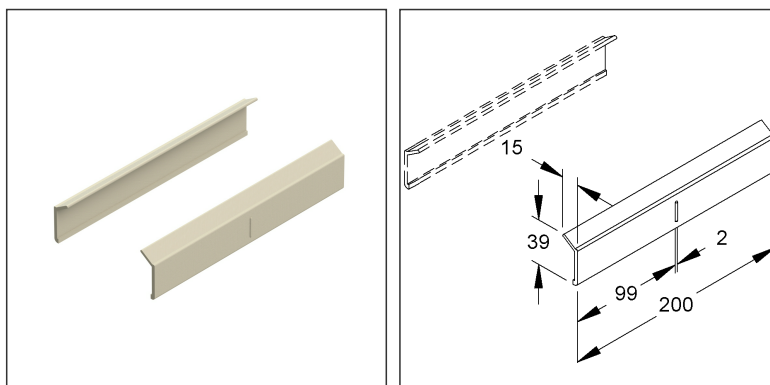
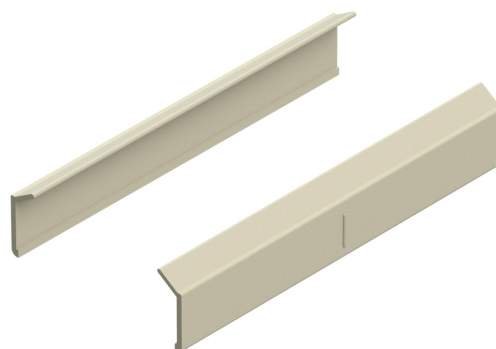
GRP-Splice Plate, clipable

pressed, horizontal

KPGH 50

EAN Code: 4013339955701
Smallest packaging unit: 1 pair

the photorealistic images are to be considered as reference images



Article Description

GRP-Splice plate, horizontal, screwable, 39 mm, Polyester glasfaserverstärkt, gepresst, RAL 7032, kieselgrau

Additional Price Information

Article group	N15
quantity unit	pairs

Weight

Weight per quantity unit	60 g / pairs
Weight in kg per 100	6 kg / 100pairs

Physical Article Dimensions

Height	39.00 mm
Width	200.00 mm
Depth/length	200.00 mm

Technical Datasheet

Cable Tray System

KPGH 50

the photorealistic images are to be considered as reference images

Packing Dimension

1 pair = 1 bag		✓ VP1-smallest packaging unit (PU)		✓ VP1-preferred PU	
Lenght	240 mm	Width	50.00 mm	Height	20.00 mm
Gross weight	0,06 kg	Volume	0,000 m ³		
Min. quantity	1.00 pairs	Max. Quantity	1.00 pairs		

Tender Text

GRP splice plate, pressed, horizontal, clipable, for a longitudinally aligned connection of cable trays and cable routing ducts and their fittings at the joint, for clipping (on both sides) into the sides of the cable trays or cable routing ducts, the Splice plate automatically positions the two cable trays or cable routing ducts at the correct distance, halogen-free.

Article available in various resin mixtures.

Used for : Cable trays KP 50...

Cable trays KPL 50...

Cable trunking LFG 50...

as well as their fittings

Requirement : 1 pair (2 pieces) per joint

Dimensions (approx. dimensions)

Height H x Length L : 39 x 200 mm

Material thickness t : 3 mm

Material : UP-GF (glass fiber reinforced polyester)

Colour : pebble gray

RAL : 7032 (similar)

NIEDAX Model-No. : KPGH 50

EP Material _____ EP Wage _____

Unit price/pair

Safety & Environment

REACH Date	25.06.2025
REACH Info	Conformable
RoHS Info	Conformable

Origin & International Trade

Country of origin	FR
Customs tarif number	39259020