

GRP-Splice Plate, clipable

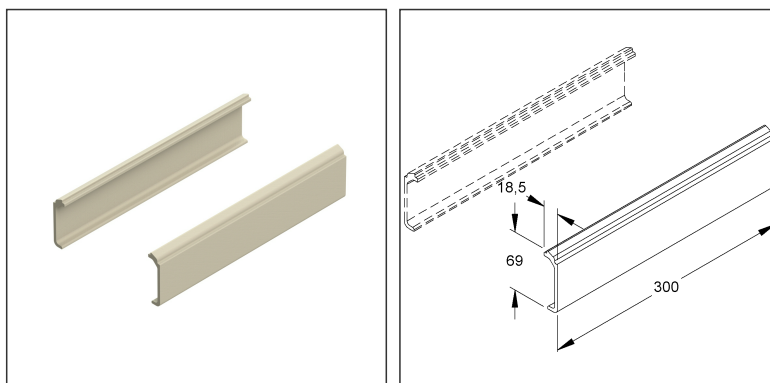
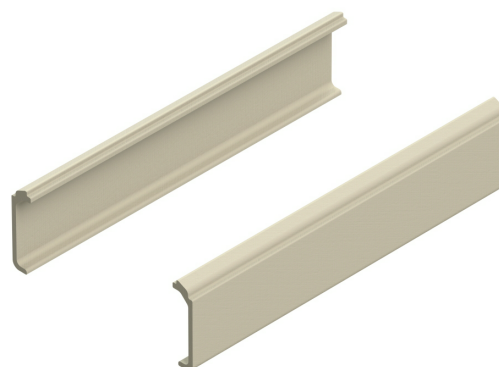
pultruded, horizontal

KPGH 80

EAN Code: 4013339955718

Smallest packaging unit: 1 pair

the photorealistic images are to be considered as reference images



Article Description

GRP-Splice plate, horizontal, clipable, 69 mm, Polyester glasfaserverstärkt, pultrudiert, RAL 7032, kieselgrau

Additional Price Information

Article group	N15
quantity unit	pairs

Weight

Weight per quantity unit	225 g/ pairs
Weight in kg per 100	22 kg/ 100pairs

Physical Article Dimensions

Height	69.00 mm
Width	200.00 mm
Depth/length	200.00 mm

Technical Datasheet

Cable Tray System

KPGH 80

the photorealistic images are to be considered as reference images

Packing Dimension

1 pair = 1 bag		✓ VP1-smallest packaging unit (PU)		✓ VP1-preferred PU	
Lenght	240 mm	Width	50.00 mm	Height	20.00 mm
Gross weight	0,22 kg	Volume	0,000 m³		
Min. quantity	1.00 pairs	Max. Quantity	1.00 pairs		

Tender Text

GRP splice plate, pultruded, horizontal, clipable, for a longitudinally aligned connection of cable trays and cable routing ducts and their fittings at the butt joint, for clipping (on both sides) into the sides of the cable trays or cable routing ducts, halogen-free. When mounting, an expansion distance of approx. 3 mm must be taken into account.

Article available in various resin mixtures.

Used for : Cable trays KP 80...
 Cable trays KPL 80...
 Cable trunking LFG 80...
 as well as their fittings

Requirement : 1 pair (2 pieces) per joint

Dimensions (approx. dimensions)
 Height H x Length L : 69 x 300 mm
 Material thickness t : 4 mm

Material : UP-GF (glass fiber reinforced polyester)
 Colour : pebble gray
 RAL : 7032 (similar)

NIEDAX Model-No. : KPGH 80
 EP Material _____ EP Wage _____
 Unit price/pair

Safety & Environment

REACH Date	25.06.2025
REACH Info	Conformable
RoHS Info	Conformable

Origin & International Trade

Country of origin	FR
Customs tariff number	39259020